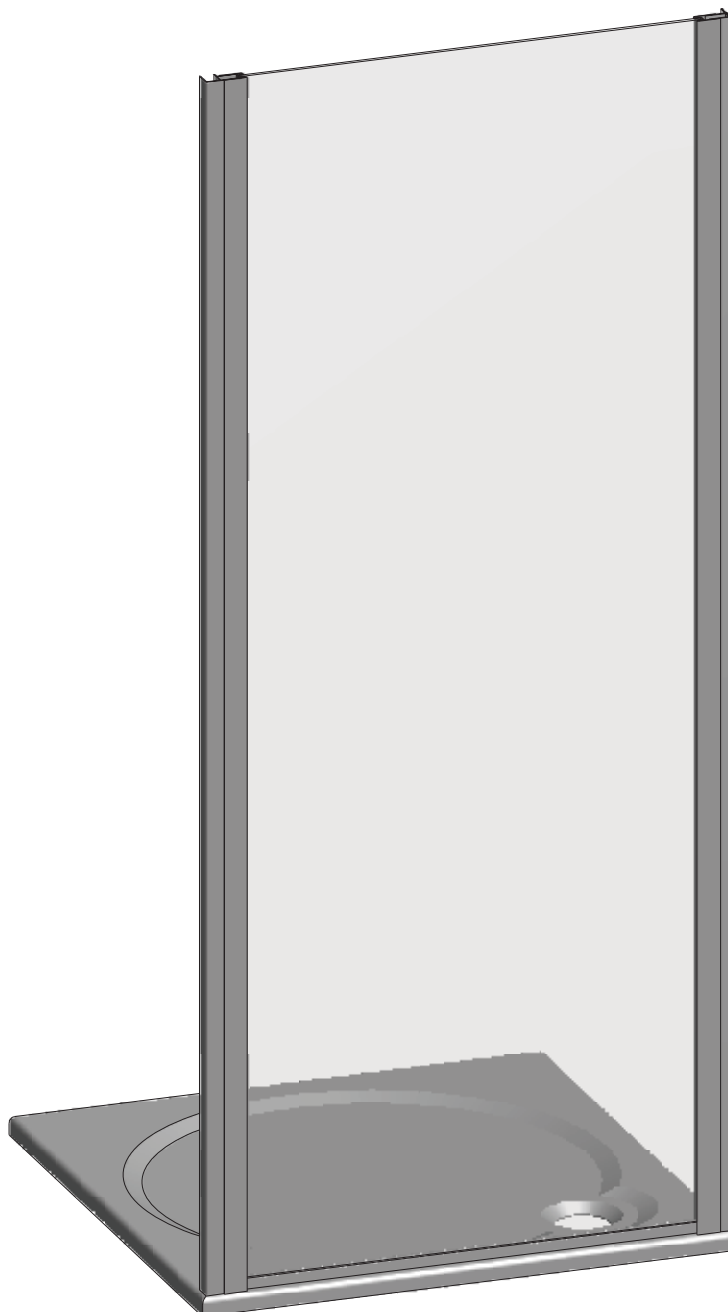


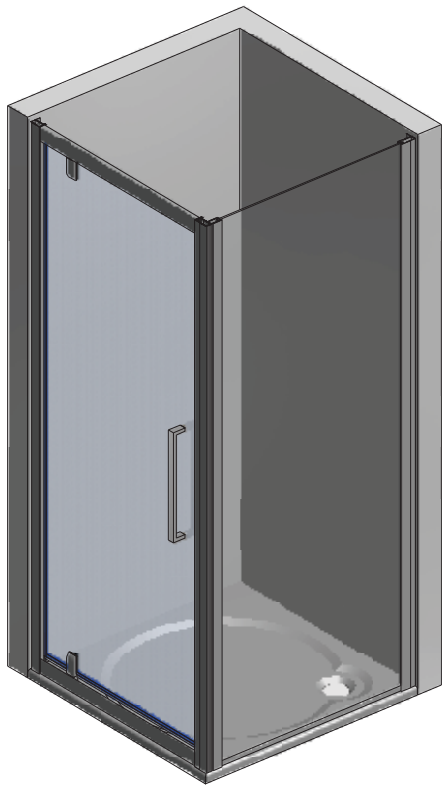
ECDBN



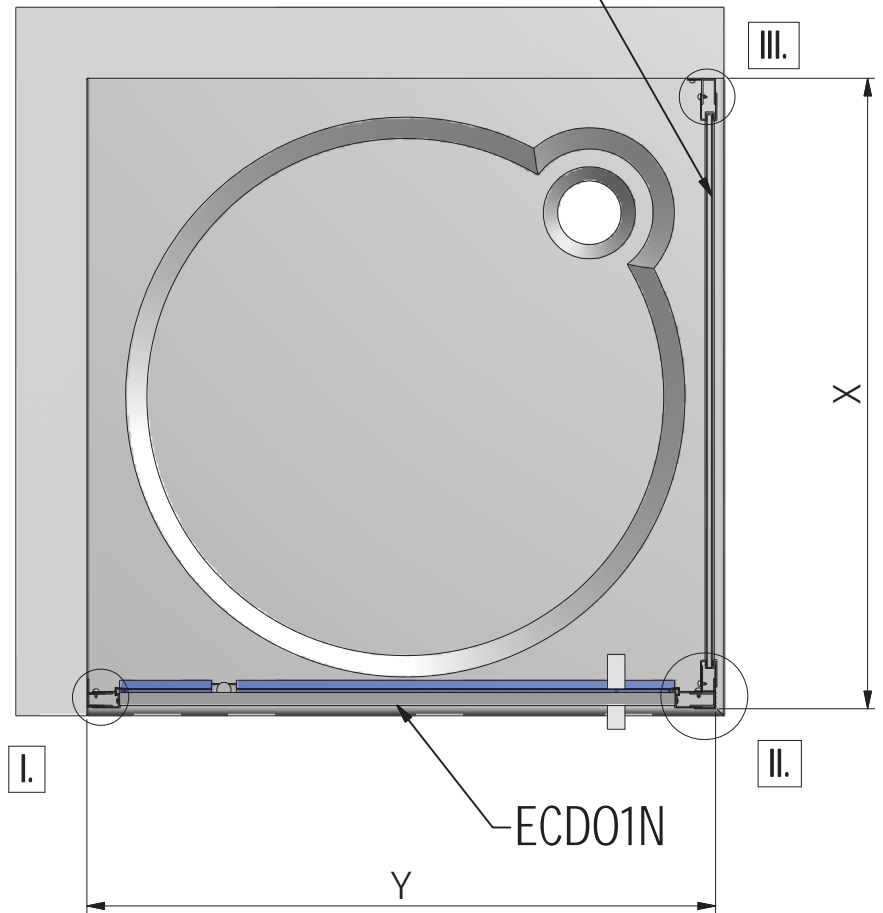
Roltechnik a.s.; Czech Republic, 56933 Třebořov 160,
tel.:+420 461 324 301/302, fax: +420 461 324 297,
<http://www.roltechnik.com>; e-mail: objednavky@roltechnik.cz

2015/07/15
Rev.:01
MA3797

ECDO1N+ECDBN



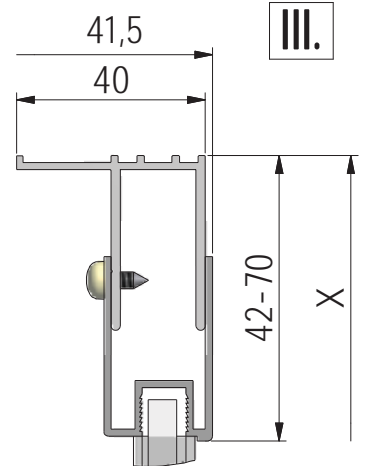
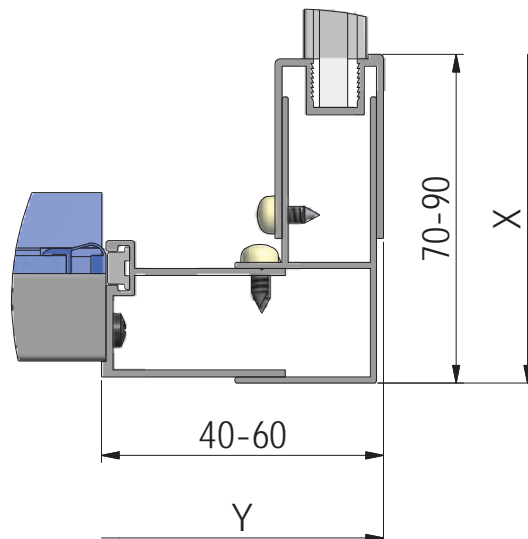
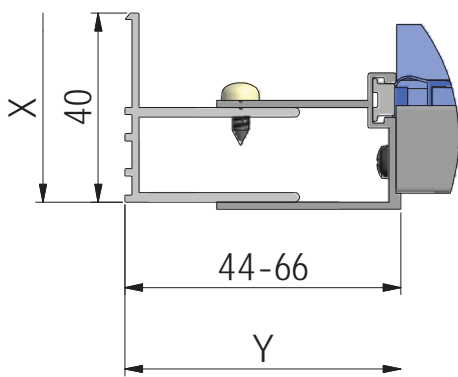
ECDBN



I.

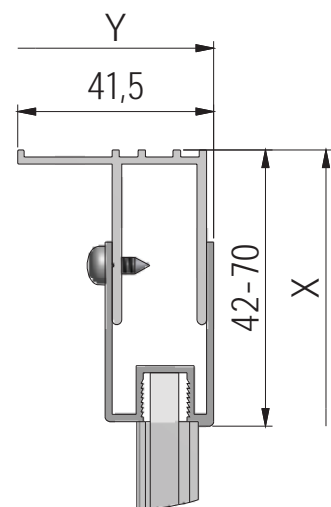
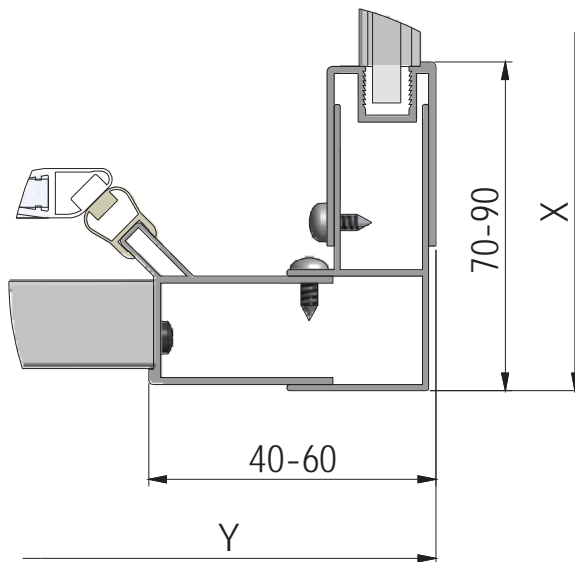
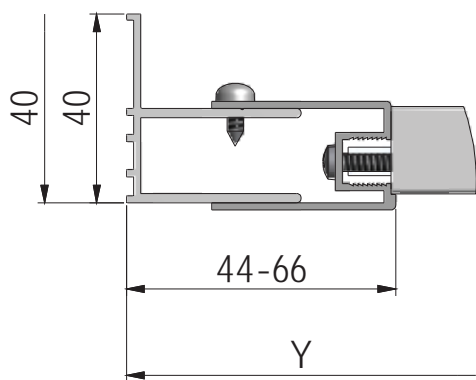
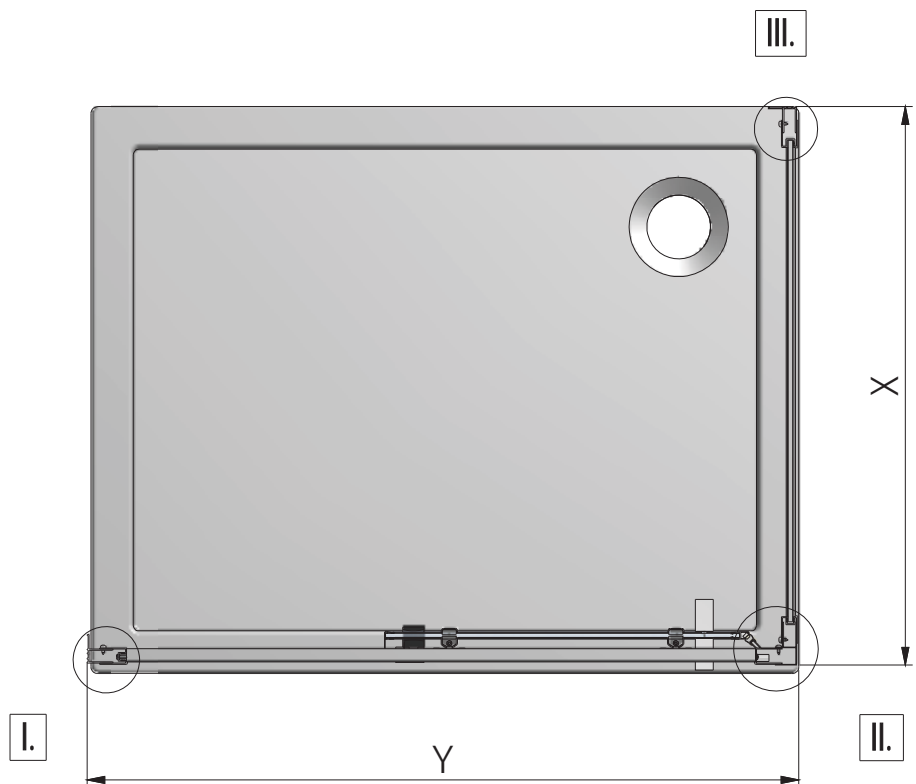
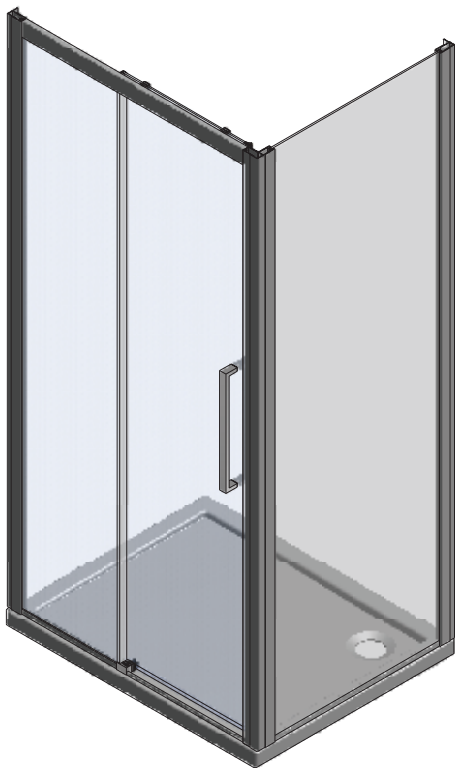
II.

III.



	X (MIN-MAX)	Y (MIN-MAX)
800	765-800	775-815
900	865-900	875-915
1000	965-1000	975-1015
1100	---	1075-1115

ECD2L+ECDBN



	X (MIN-MAX)	Y (MIN-MAX)
800	765-800	---
900	865-900	---
1000	965-1000	---
1100	---	---
1200	---	1165-1215
1300	---	1265-1315
1400	---	1365-1415
1500	---	1465-1515

1. 1x



8. 1x (P201)



12. 6x (M0806)

∅3,5x9,5



6. 6x (M1907)

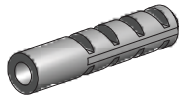


Zuberhör mit Türen ECD2P / ECD01N
Fittings with doors ECD2P / ECD01
Komponenty z ECD2P / ECD01N

7. 1x (P185)



4. 3x (M0511)



5. 3x (M0795)

∅3,5x38



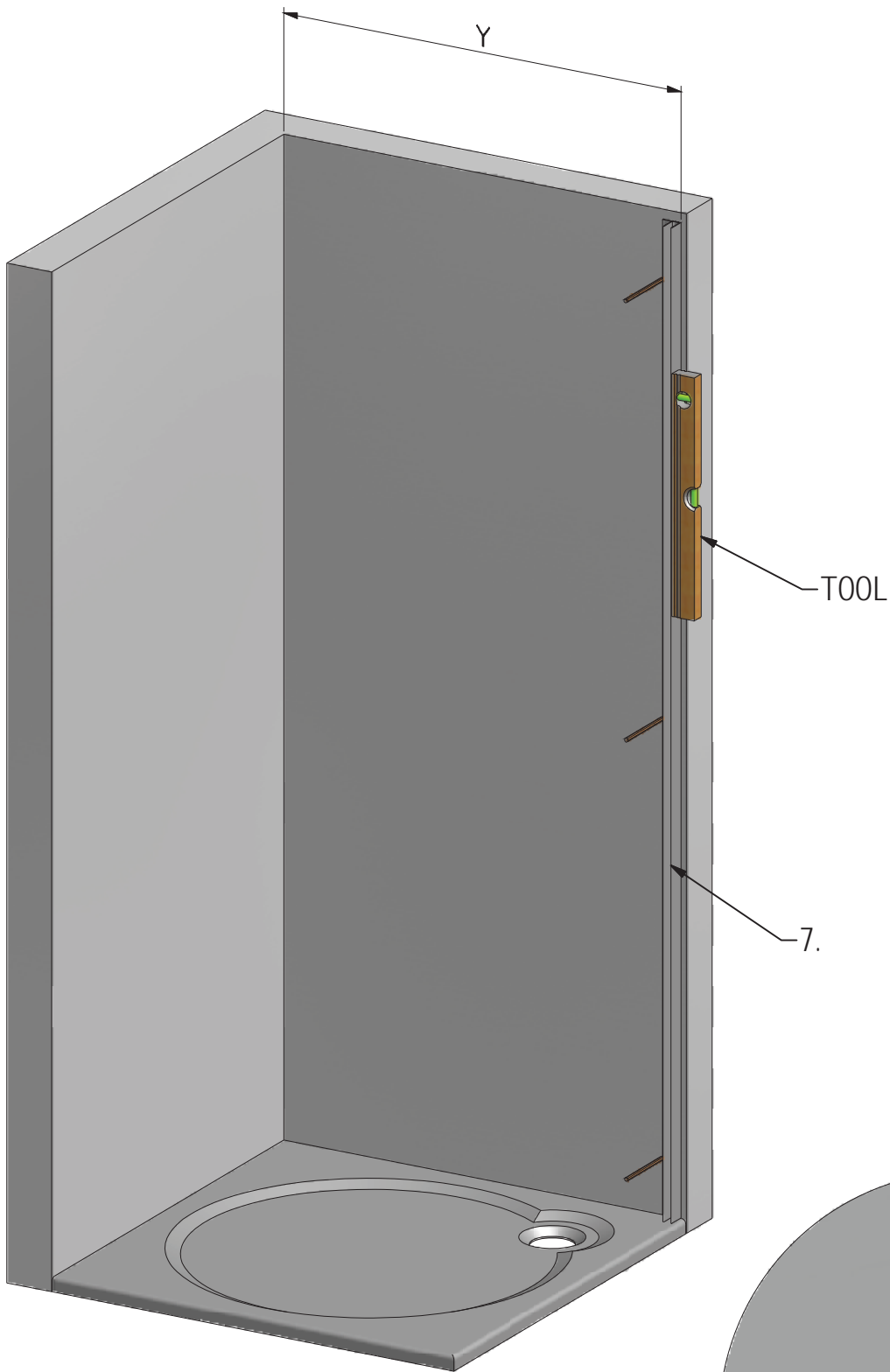
6. 3x (M1907)



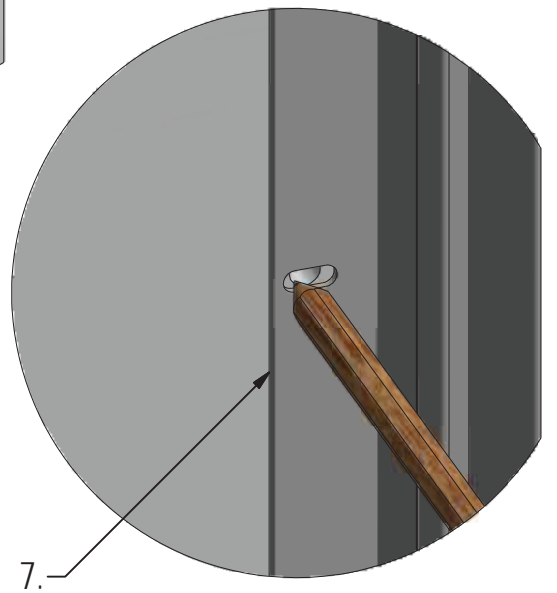
15. 1x (M0838)

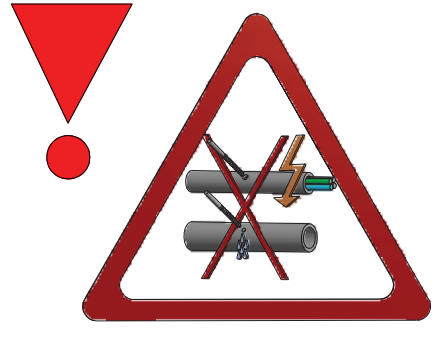
∅2,8



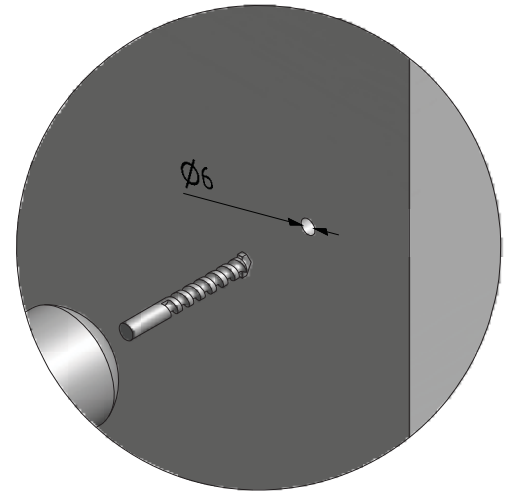


A 3x

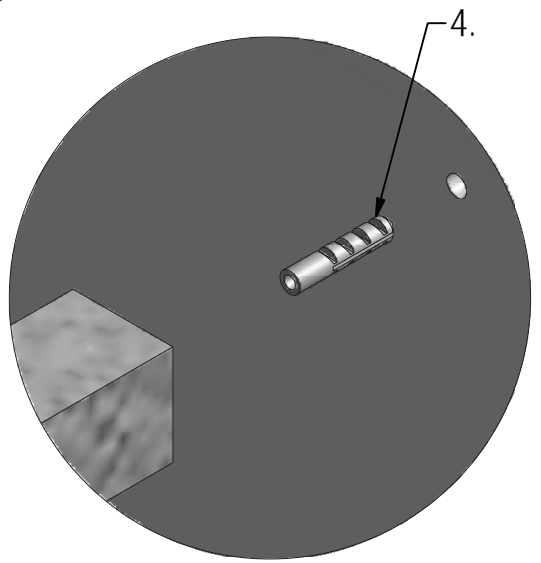




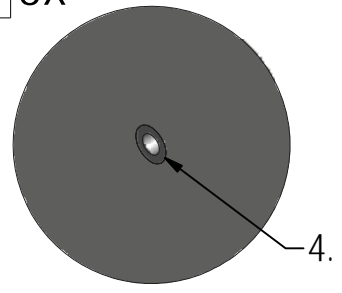
B 3x

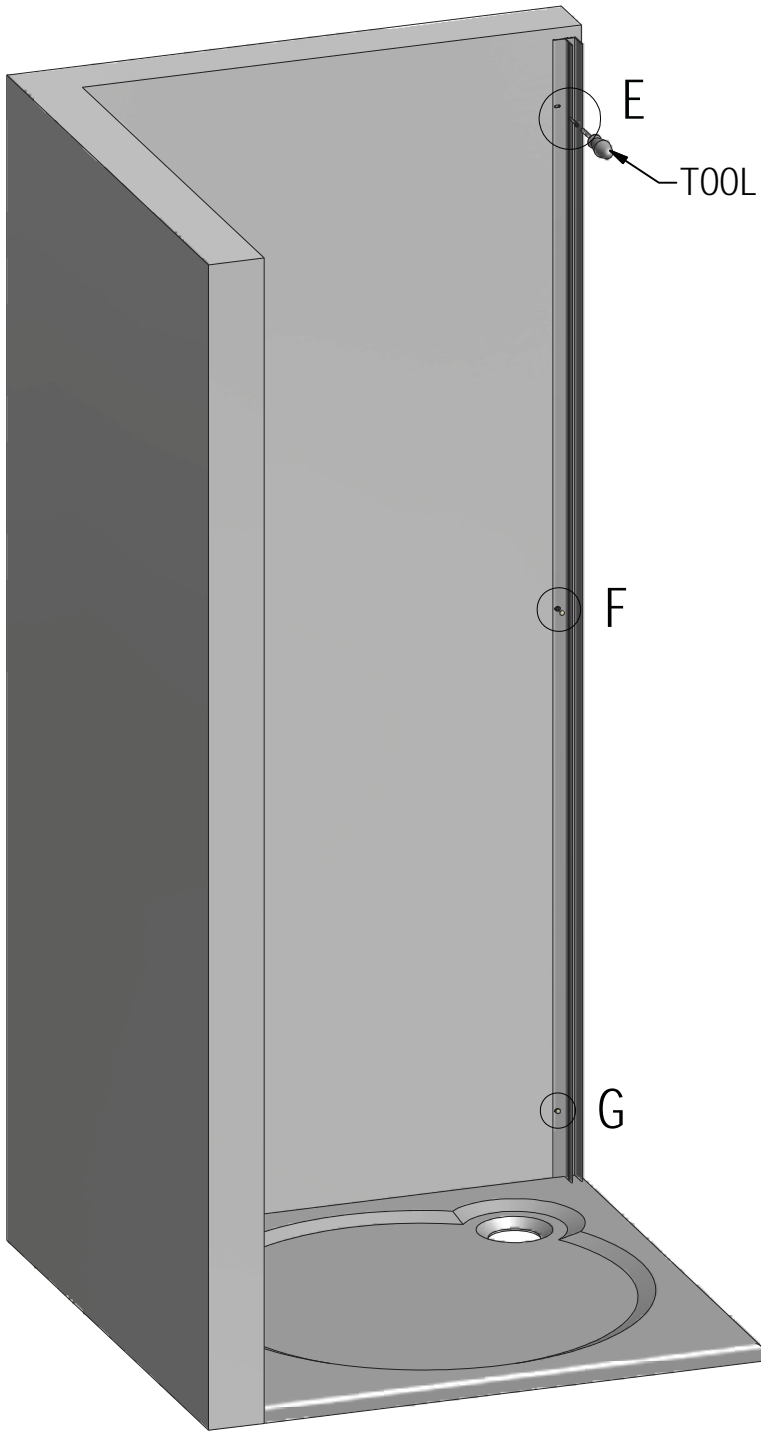
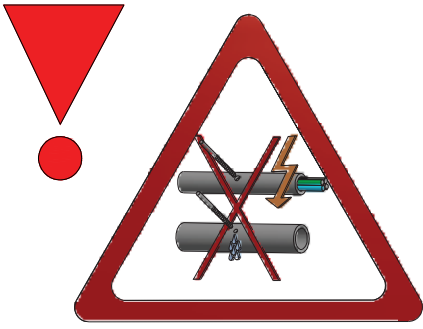


C 3x

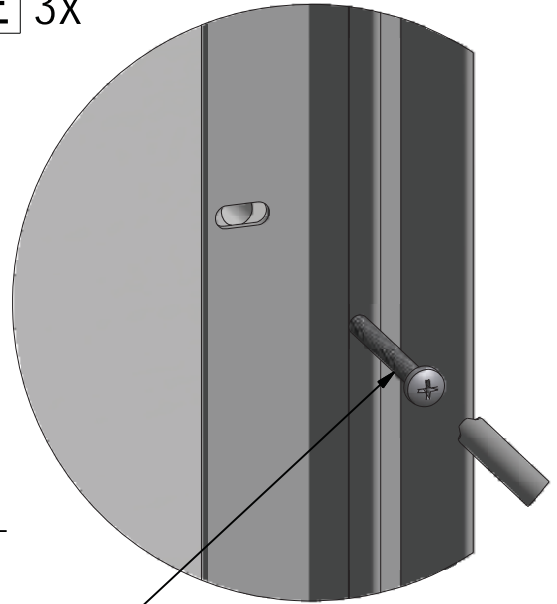


D 3x



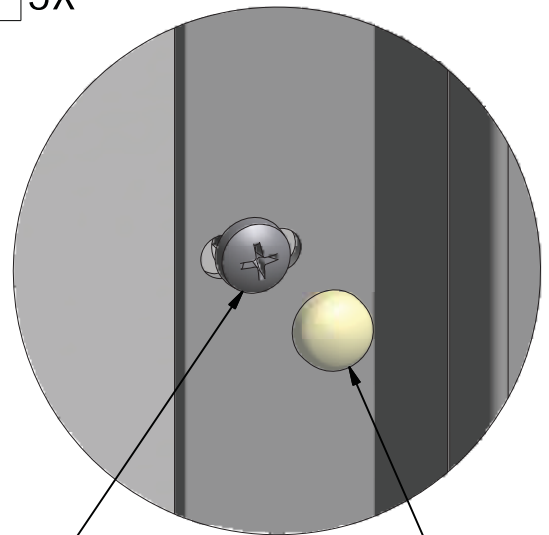


E 3x



5.

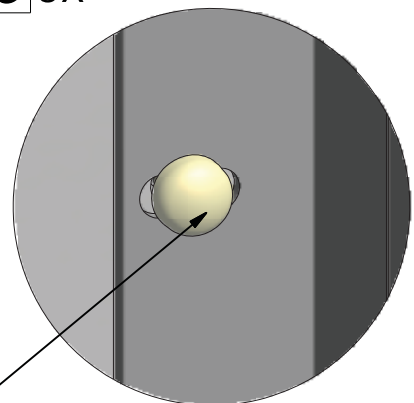
F 3x



5.

6.

G 3x

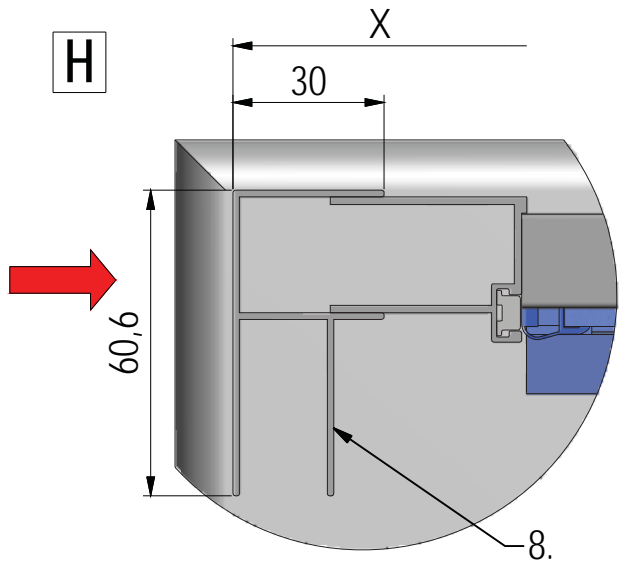


6.

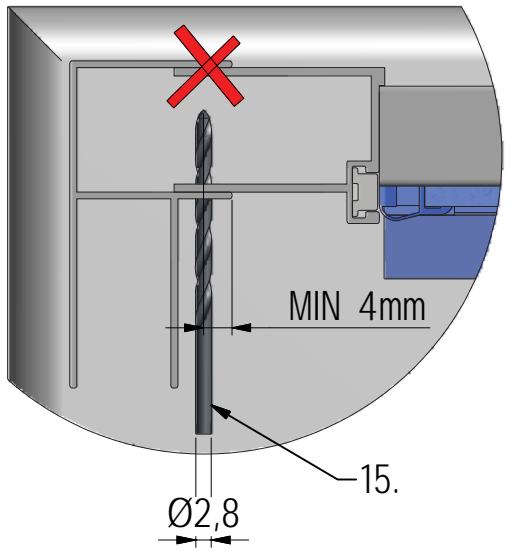


ECD01N

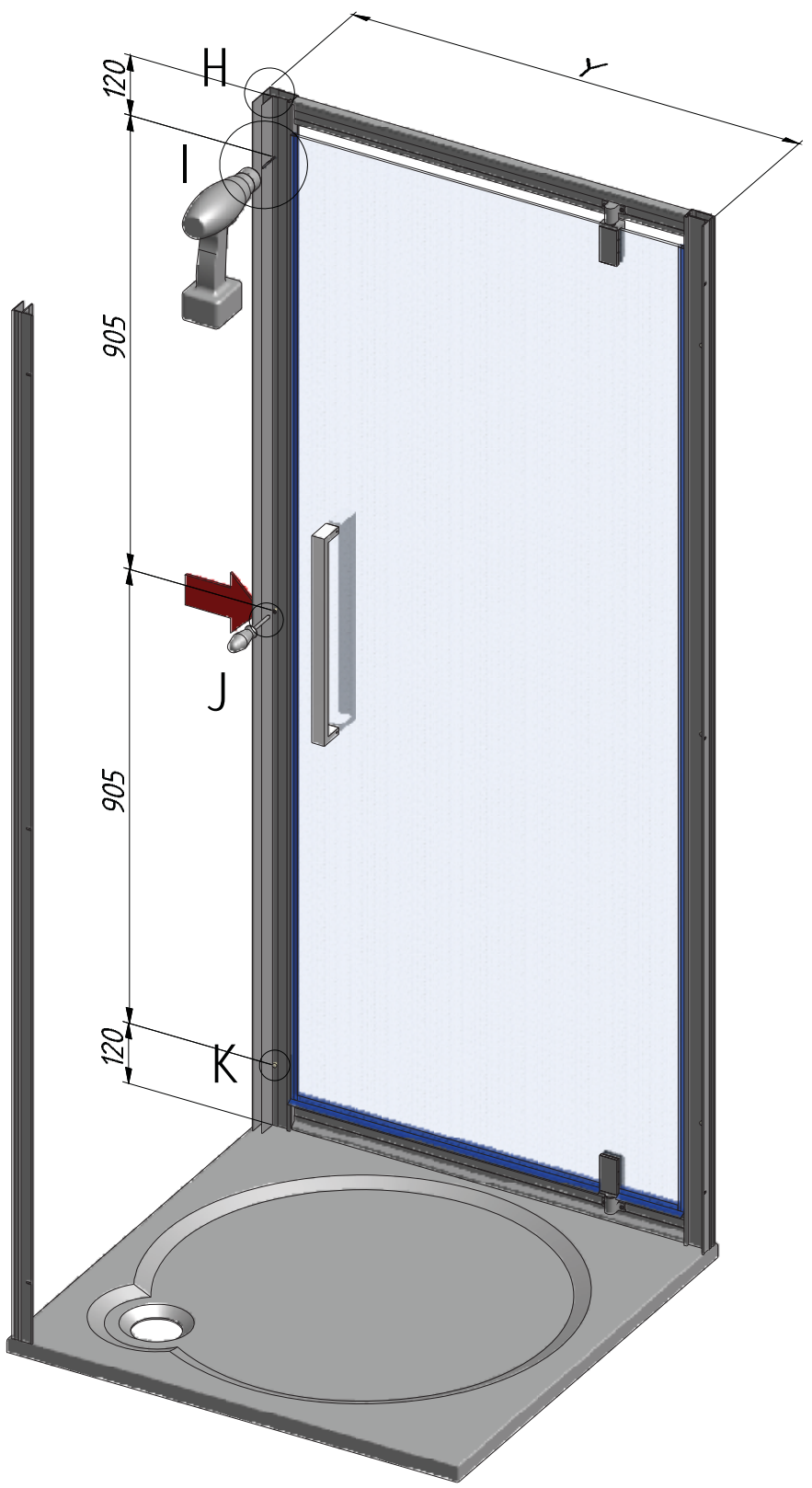
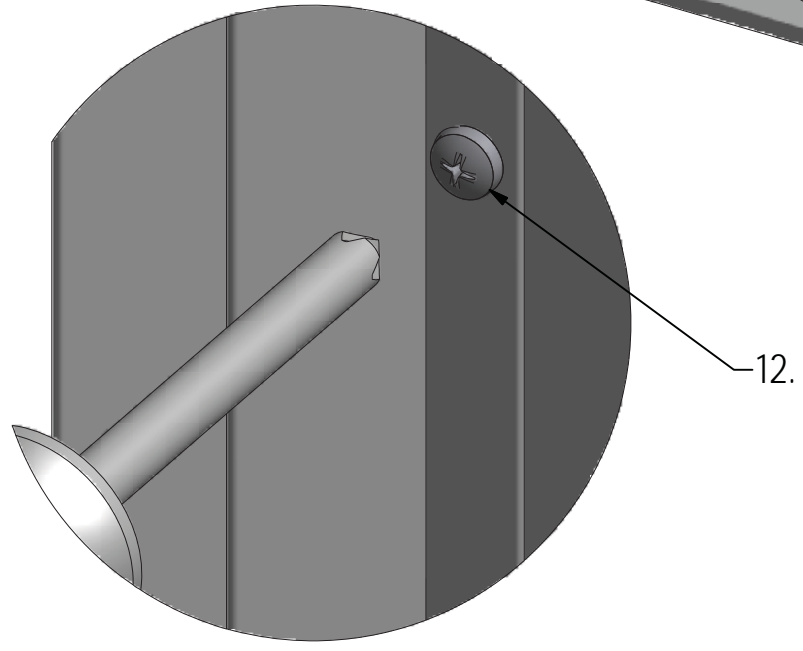
Sehen Montageanleitung ECD01N / ECD2P
See installation instructions ECD01N / ECD2P
Dle montážního návodu ECD01N / ECD2P



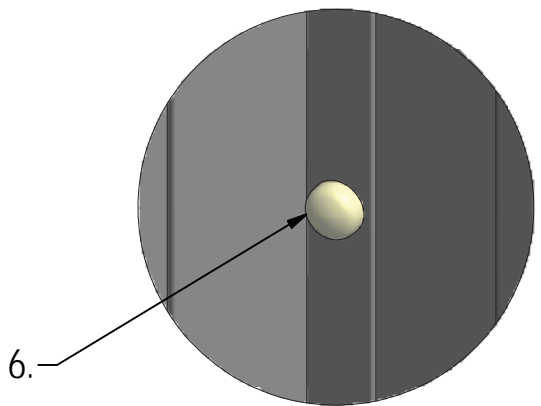
I 3x

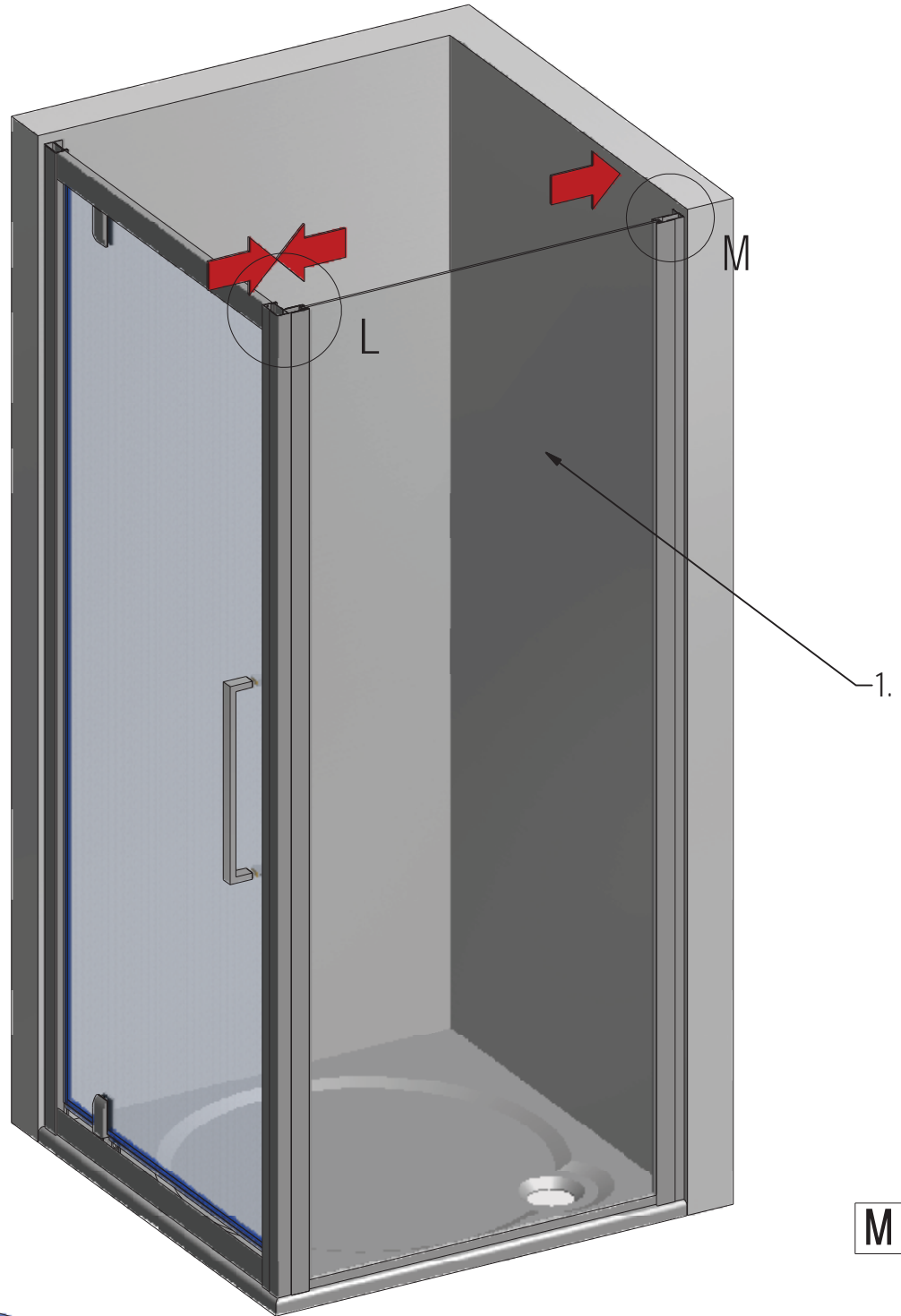


J 3x



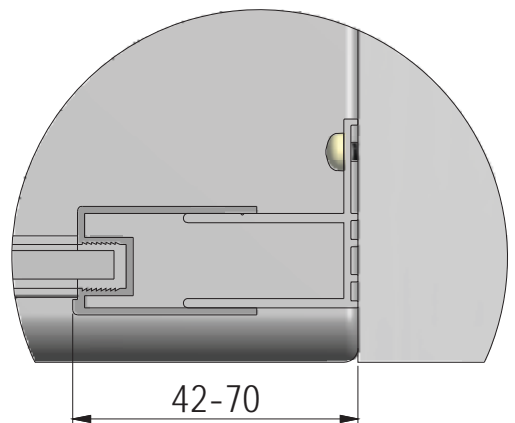
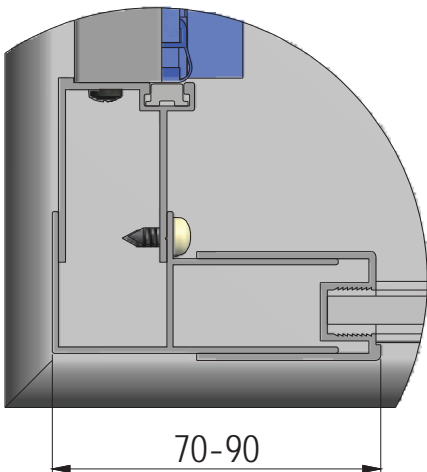
K 3x



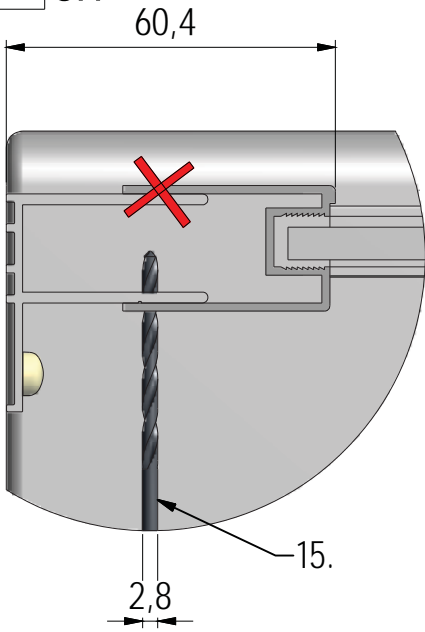


L

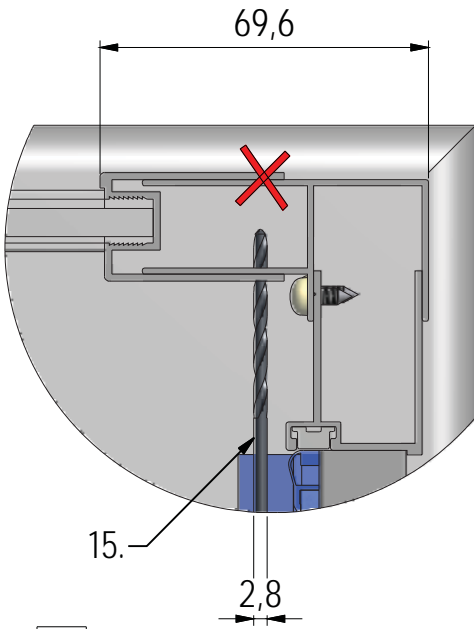
M



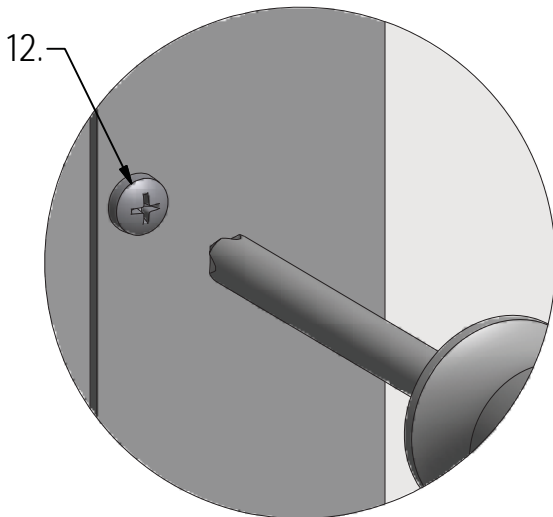
N1 3x



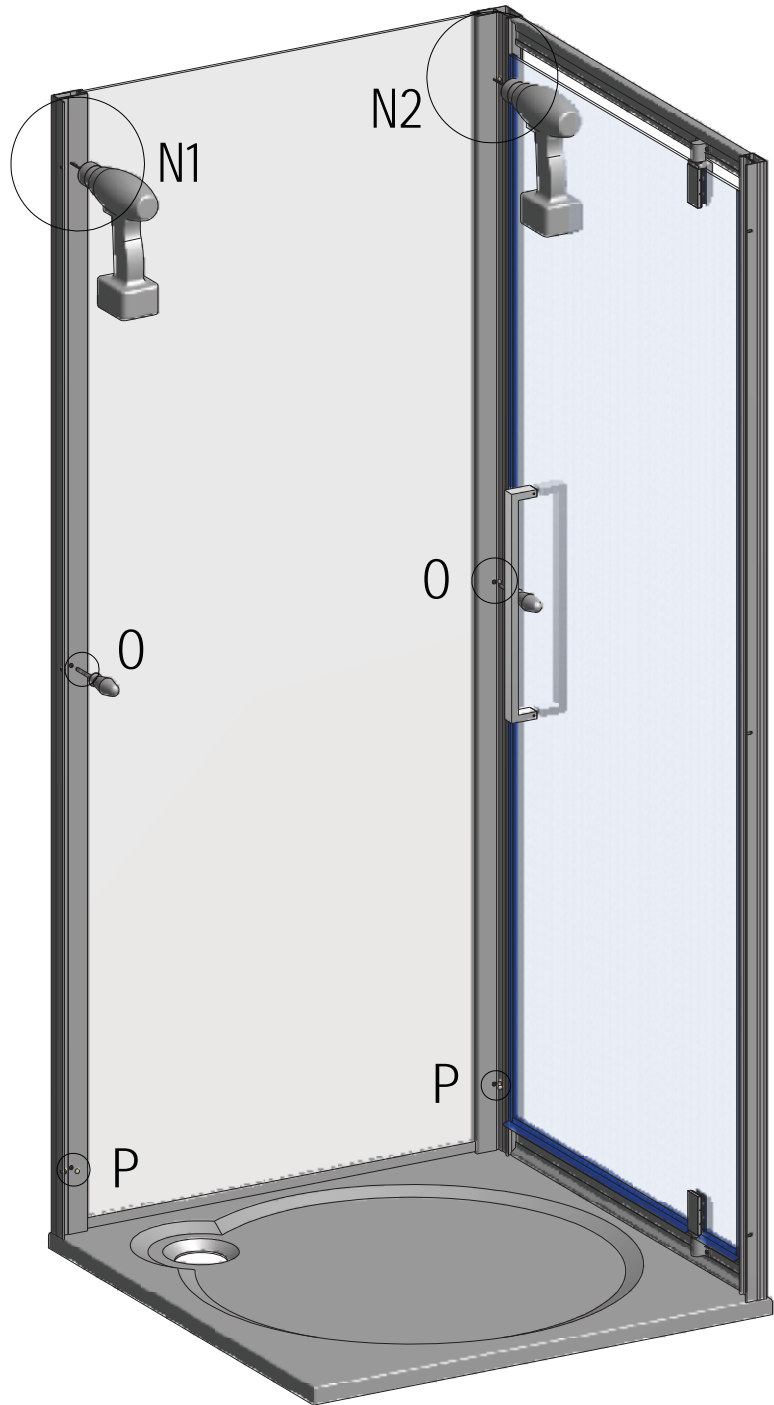
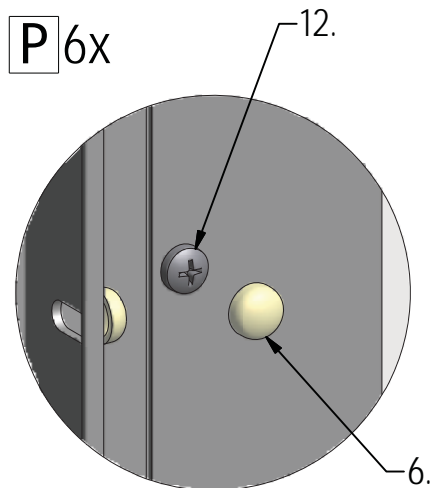
N2 3x

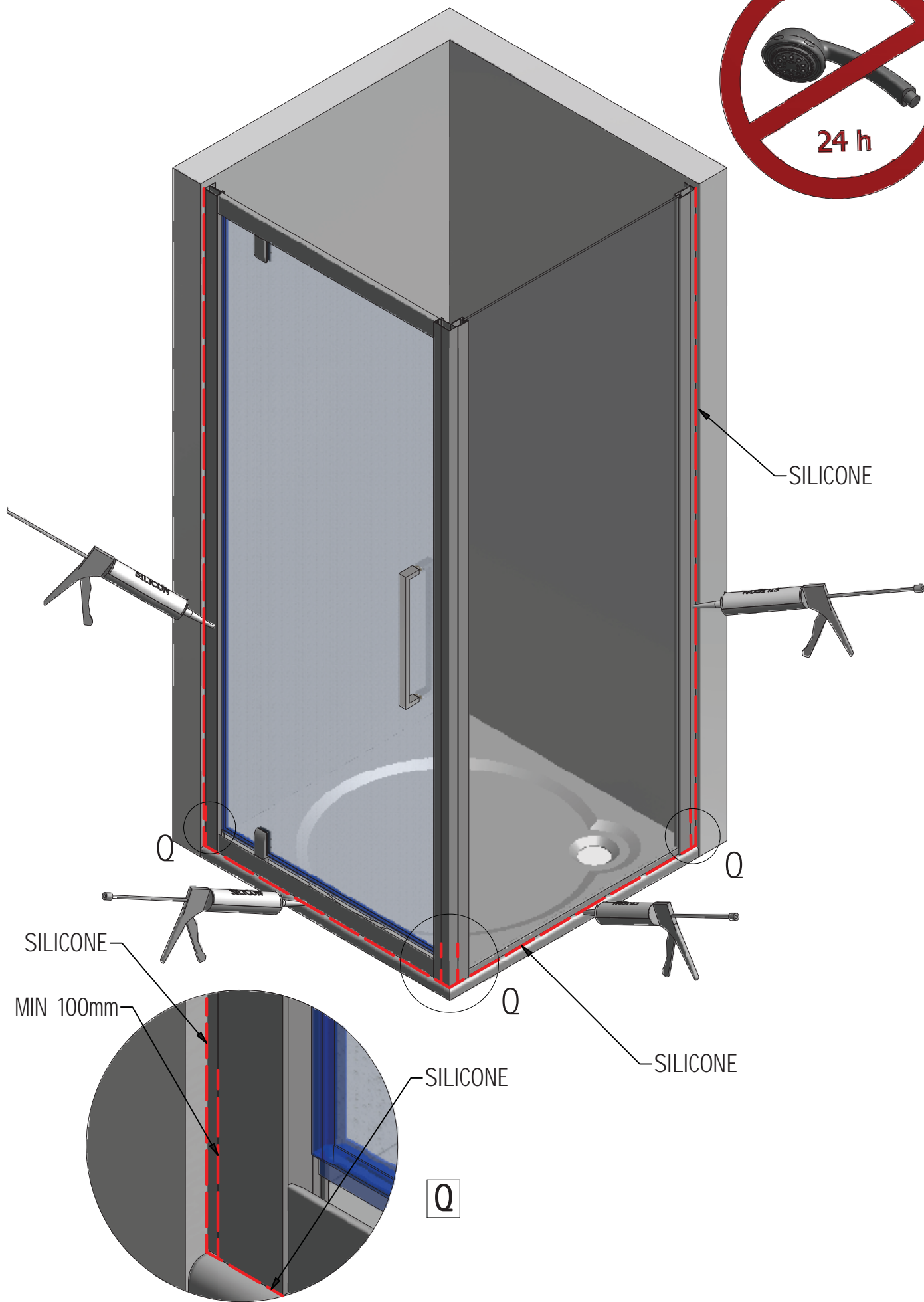


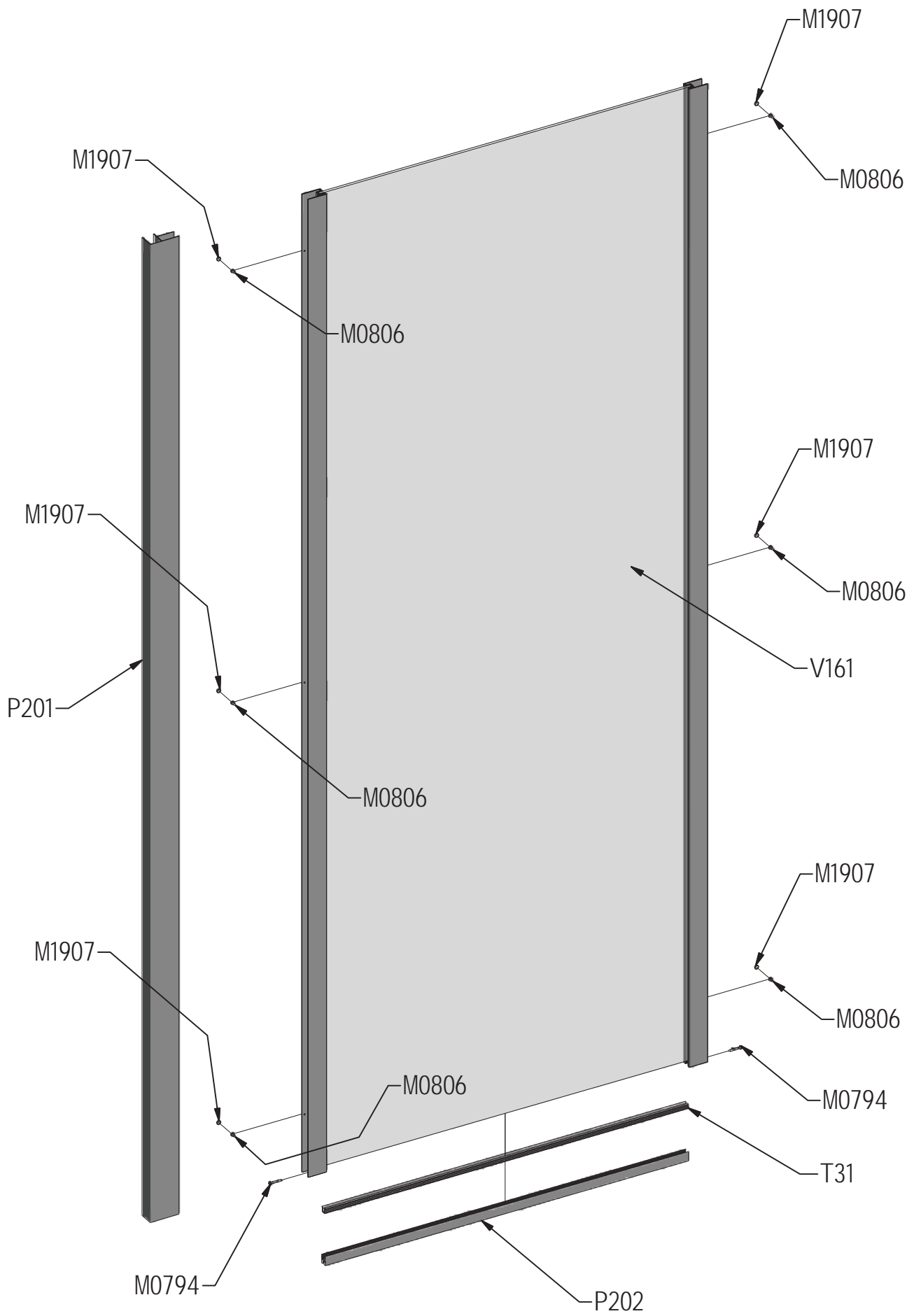
O 6x



P 6x







V161	800	clear glass/black	ND03-0606-05-02
	900	clear glass/black	ND03-0607-05-02
	1000	clear glass/black	ND03-0608-05-02
	800	clear glass/brillant	ND03-0609-00-02
	900	clear glass/brillant	ND03-0610-00-02
	1000	clear glass/brillant	ND03-0611-00-02

P201		black	MA3099
		brillant	MA3100

P185		black	P3470
		brillant	P3469

P202	800	black	P3481
	900	black	P3482
	1000	black	P3483
	800	brillant	P3478
	900	brillant	P3479
	1000	brillant	P3480

T31			ND01-3227
-----	--	--	-----------