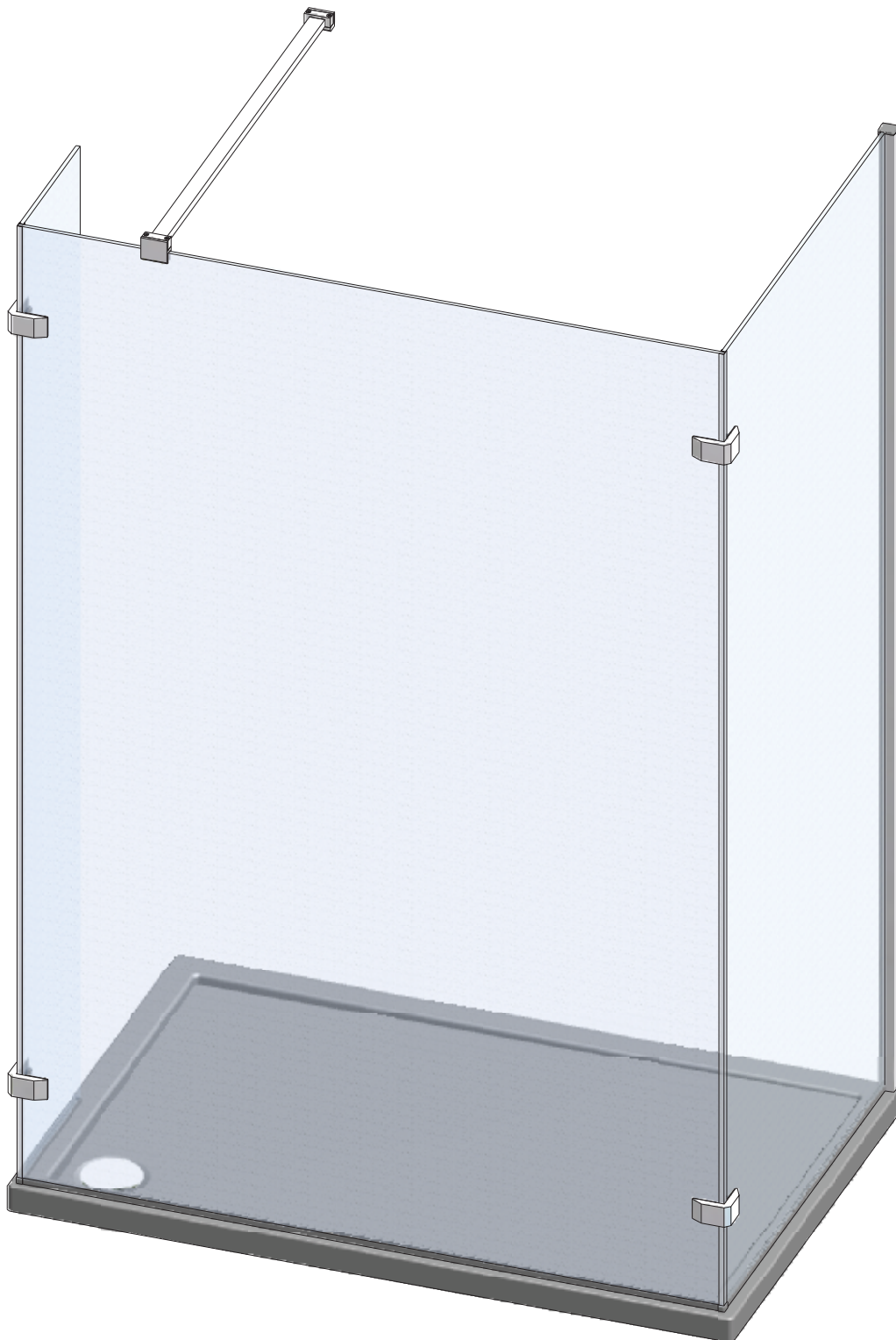
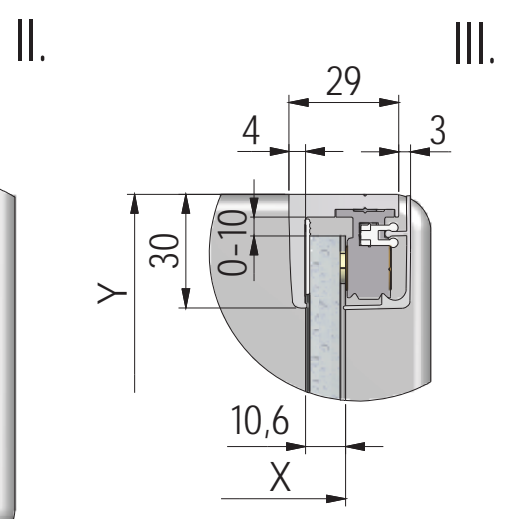
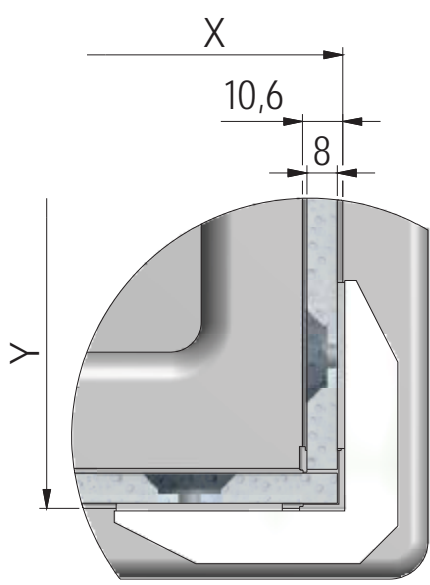
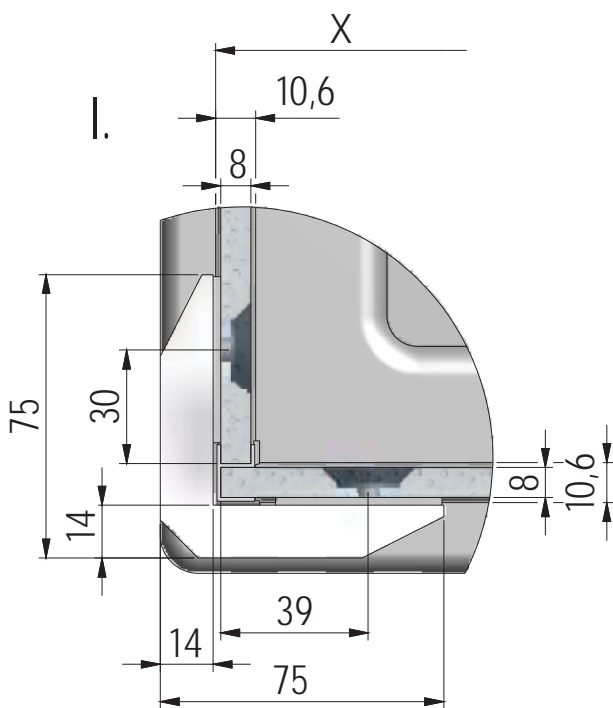
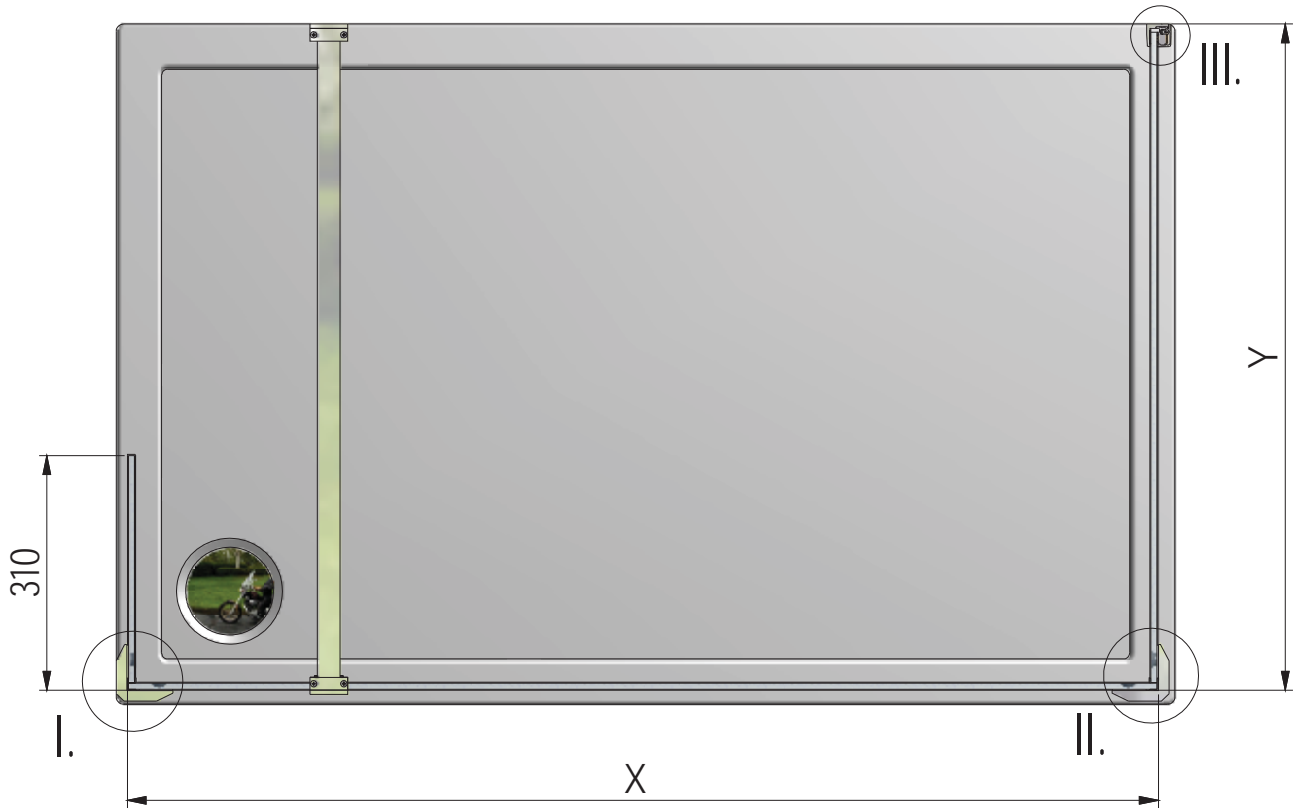


WALK B



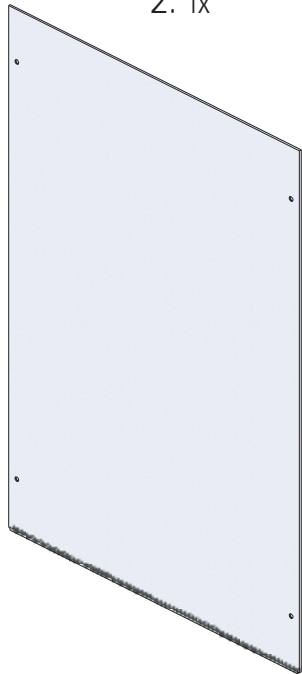


WALK B			
	X (mm)	Y MIN (mm)	Y MAX (mm)
800	-	777	787
900	-	877	887
1000	963	977	987
1200	1163	-	-
1400	1363	-	-
1500	1463	-	-

1. 1x



2. 1x



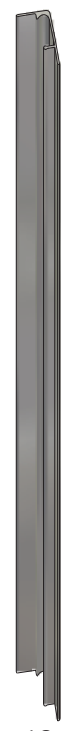
3. 1x



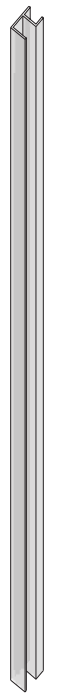
4. 1x



5. 1x
P2665



6. 2x
M9750



7. 4x
M0511



8. 4x
M0811



9. 4x
M5974



10. 4x
M5975



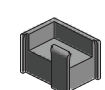
11. 4x
M8924



12. 1x
M9098



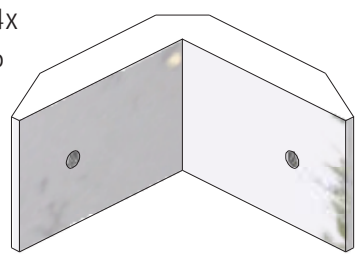
13. 1x
M9099



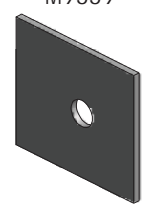
14. 2x
M9097



15. 4x
M9386



16. 8x
M9339



17. 8x
M9176



18. 8x
M9418



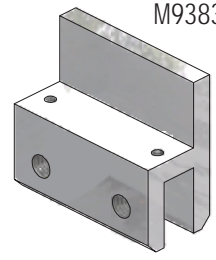
19. 8x
M9177



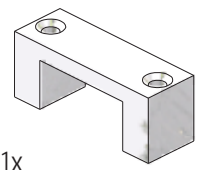
20. 8x
M8295



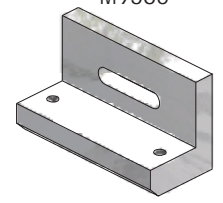
22. 1x
M9383



23. 2x
M9384



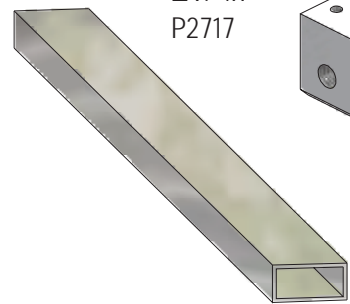
24. 1x
M9385



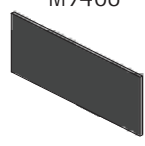
32. 2x
MA0618



21. 1x
P2717



25. 1x
M9468



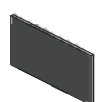
26. 4x
M9292



27. 2x
MA3667



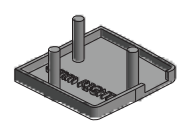
31. 2x
MA0171



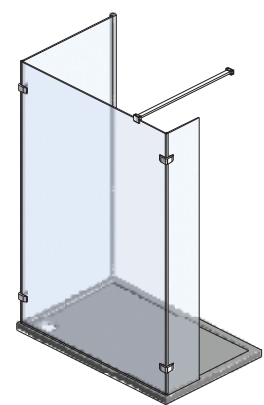
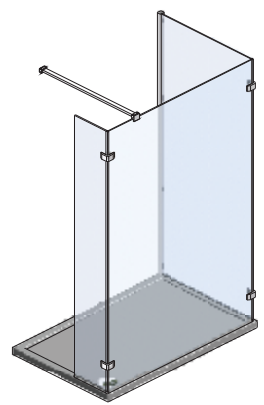
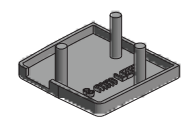
33. 2x
MA1343



28. 1x
M8938

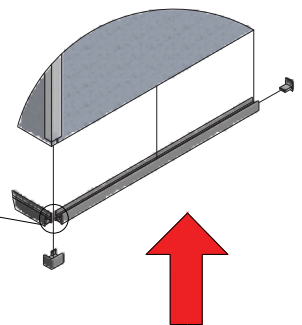
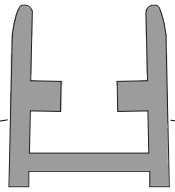
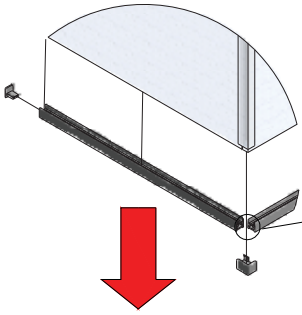
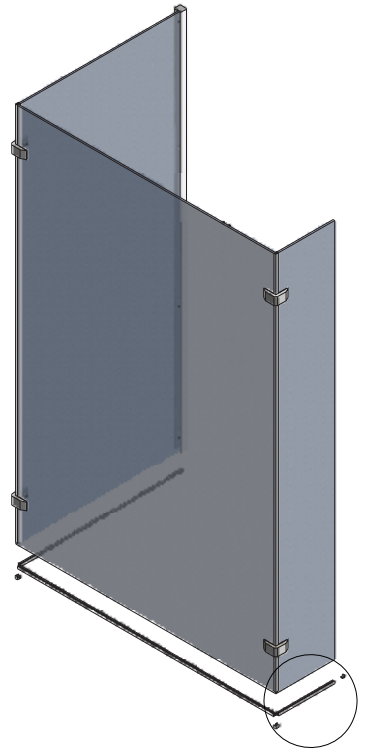
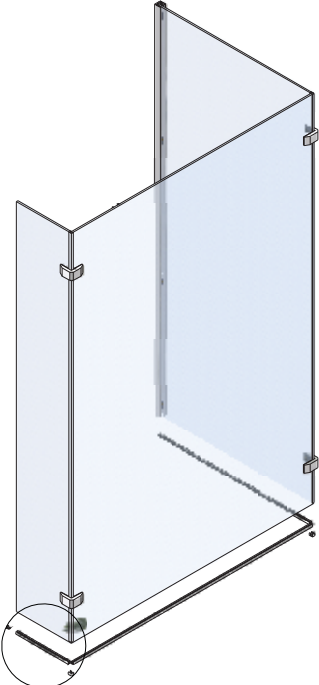
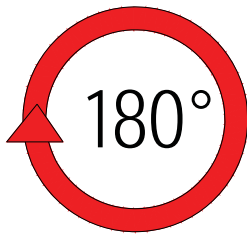
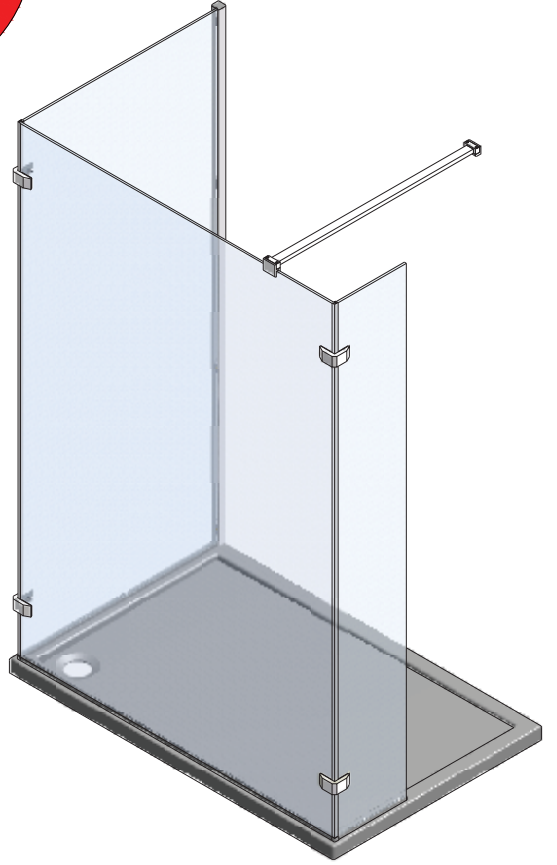
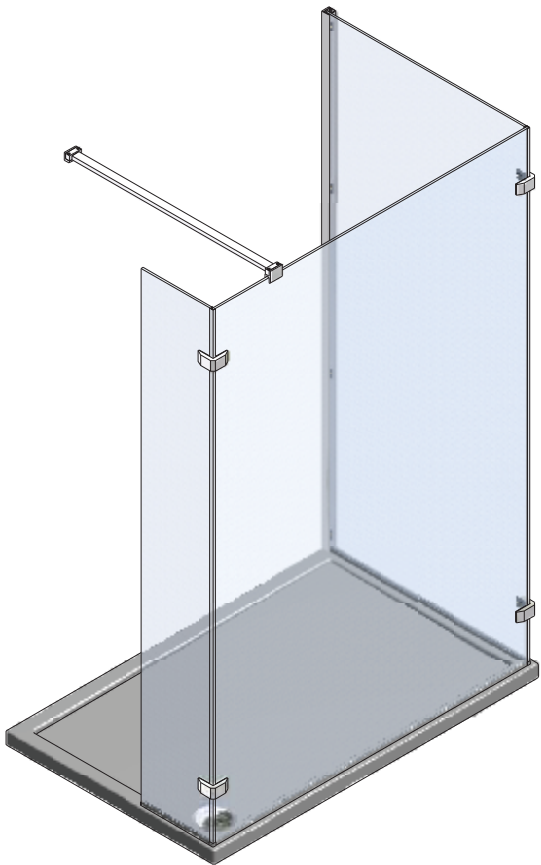
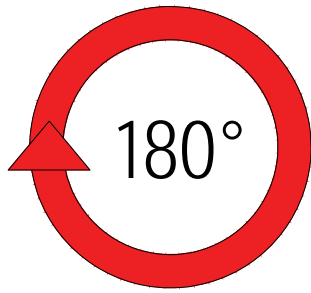


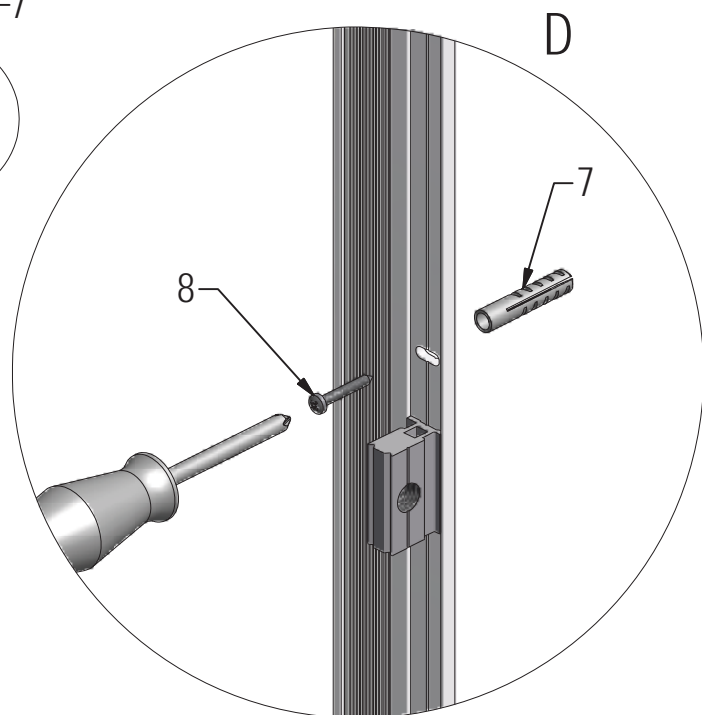
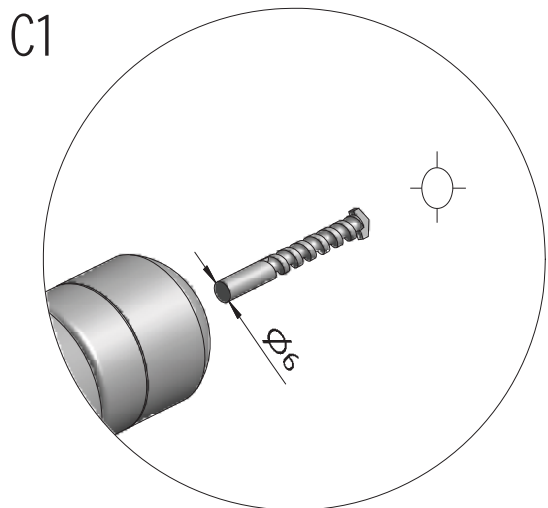
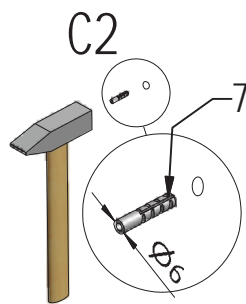
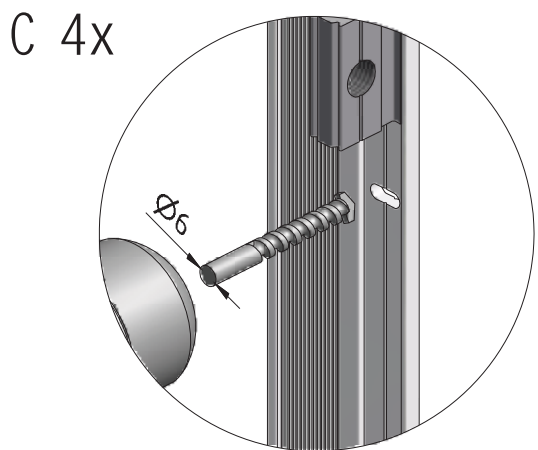
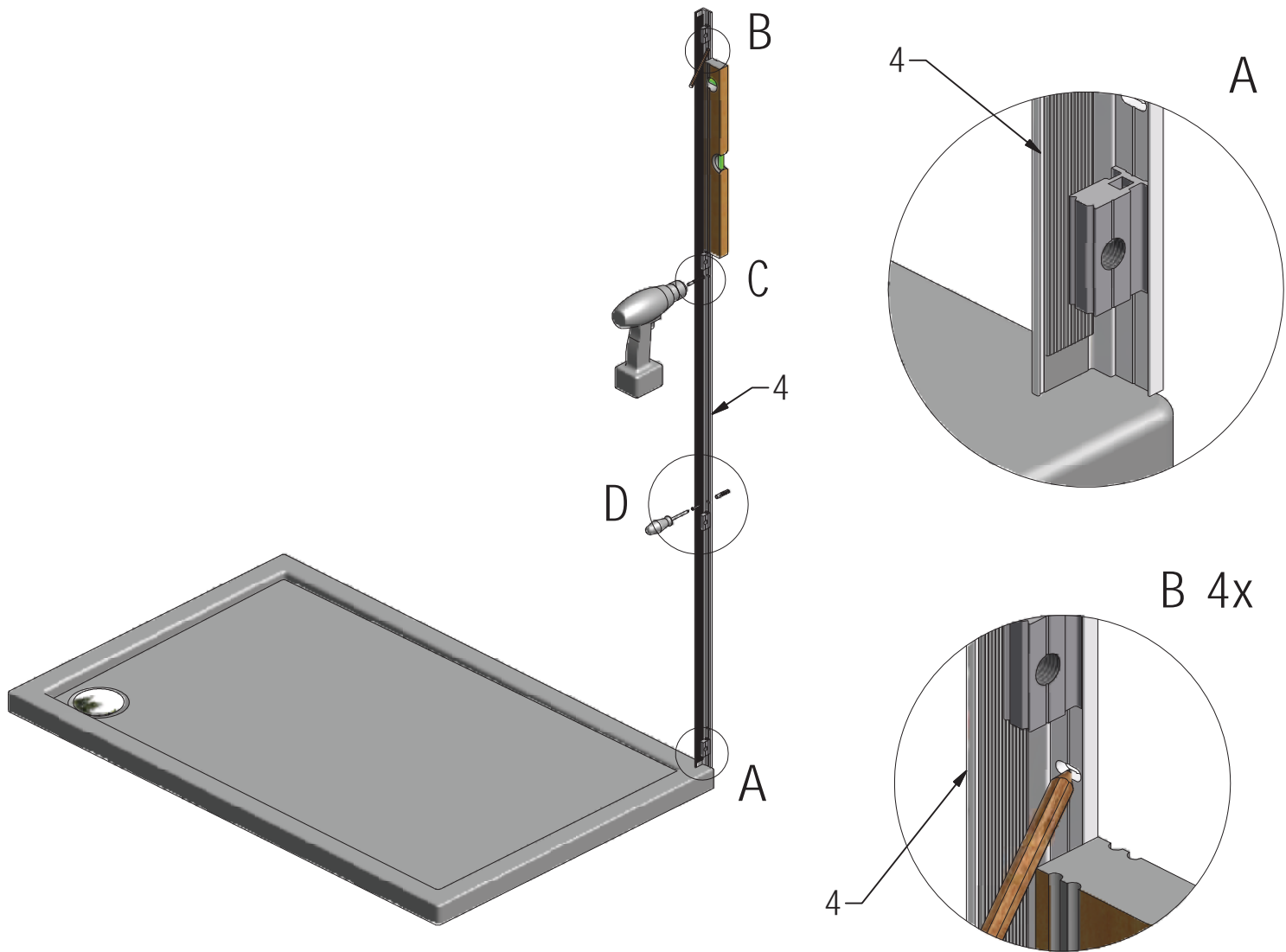
29. 1x
M8937

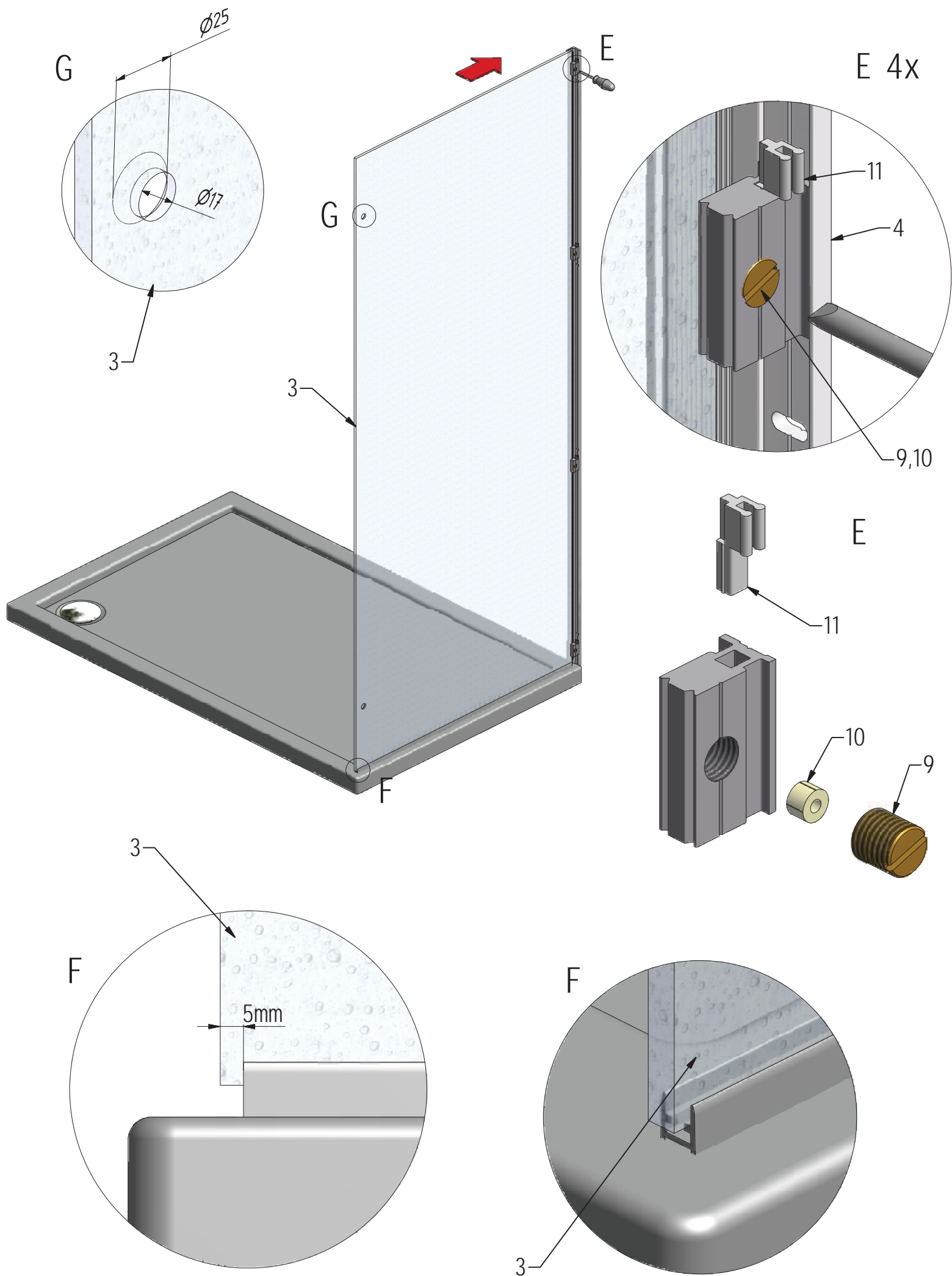


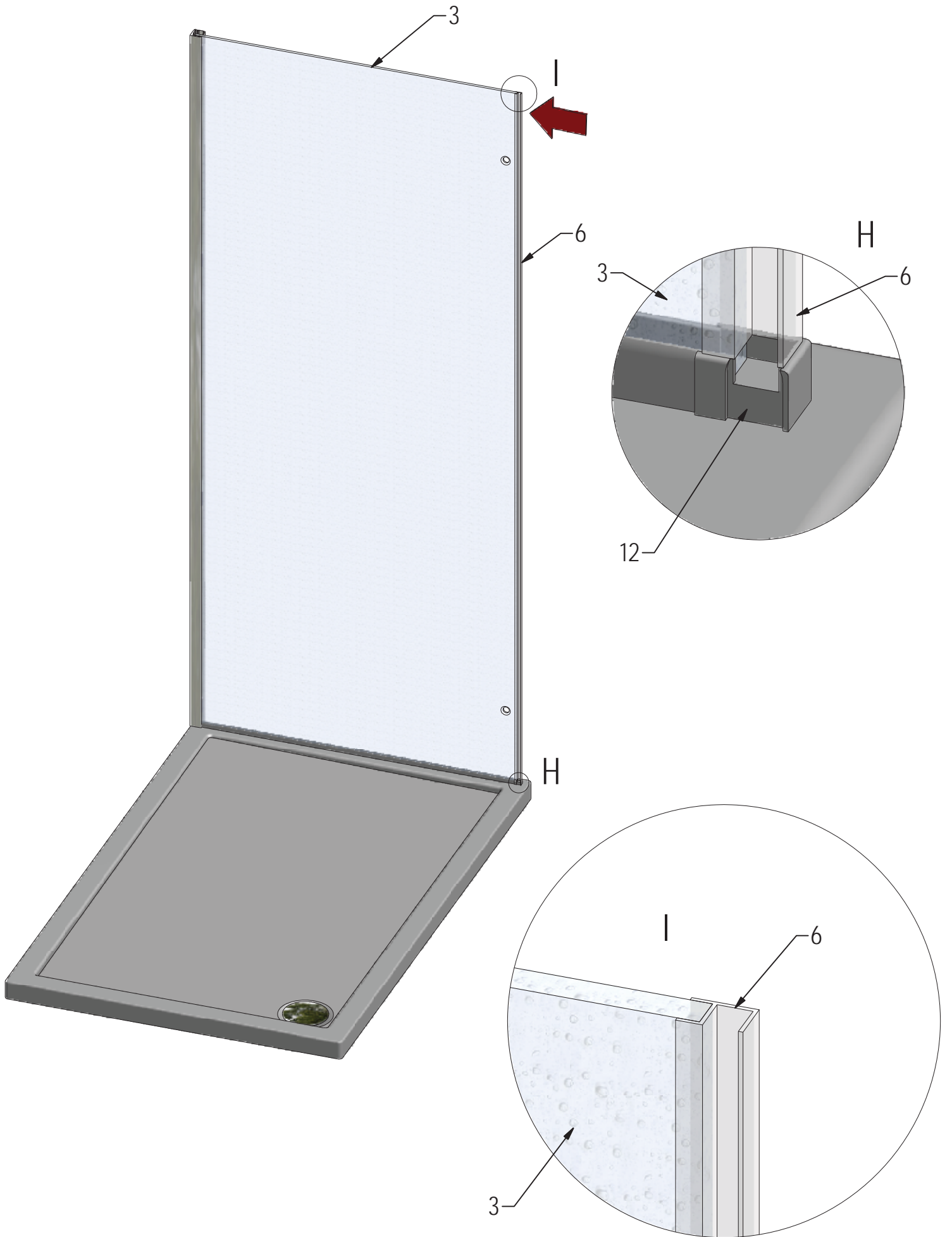
Left version

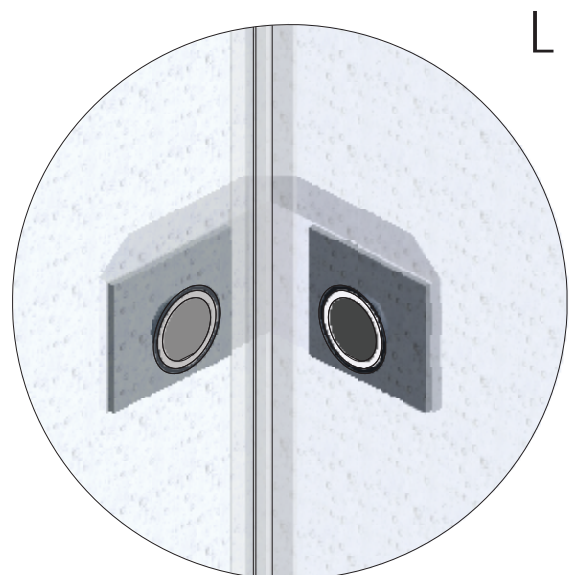
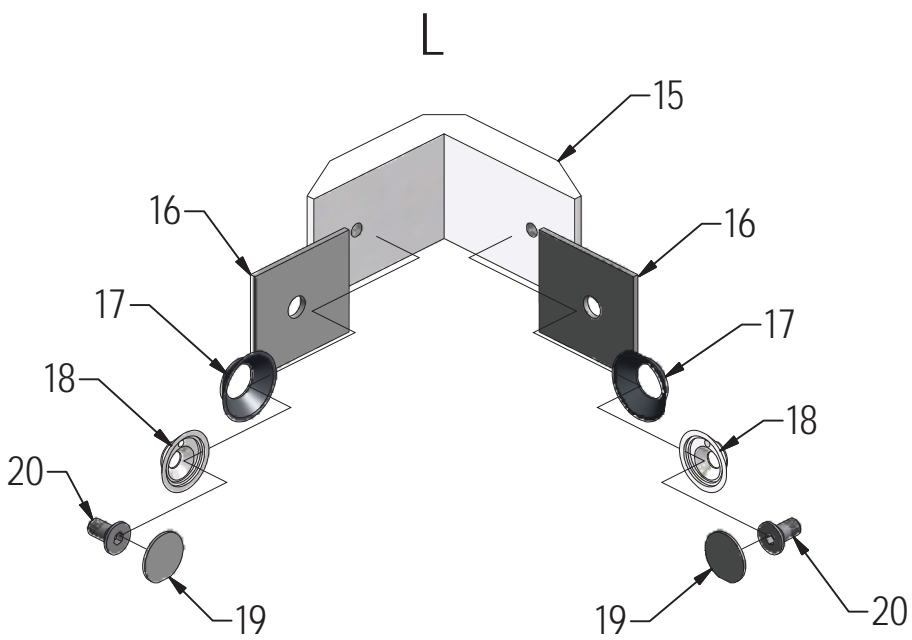
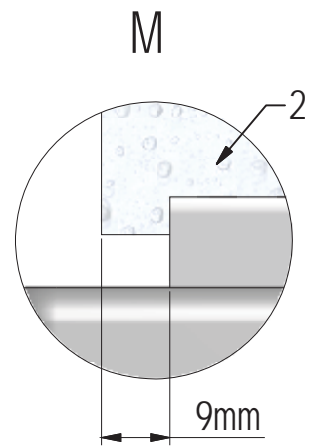
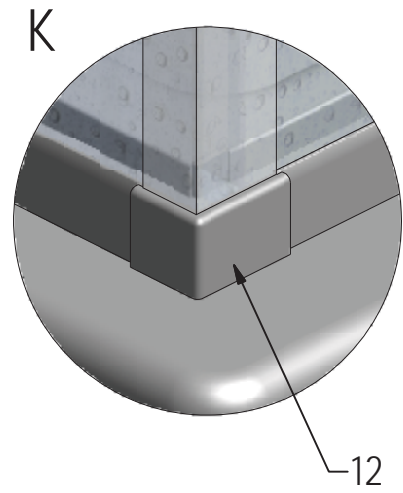
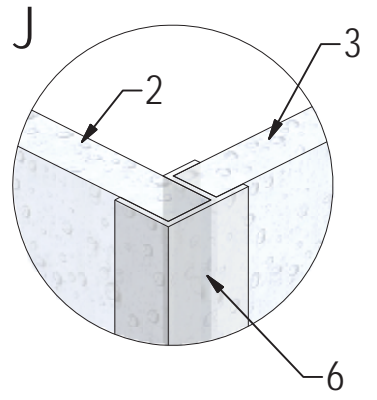
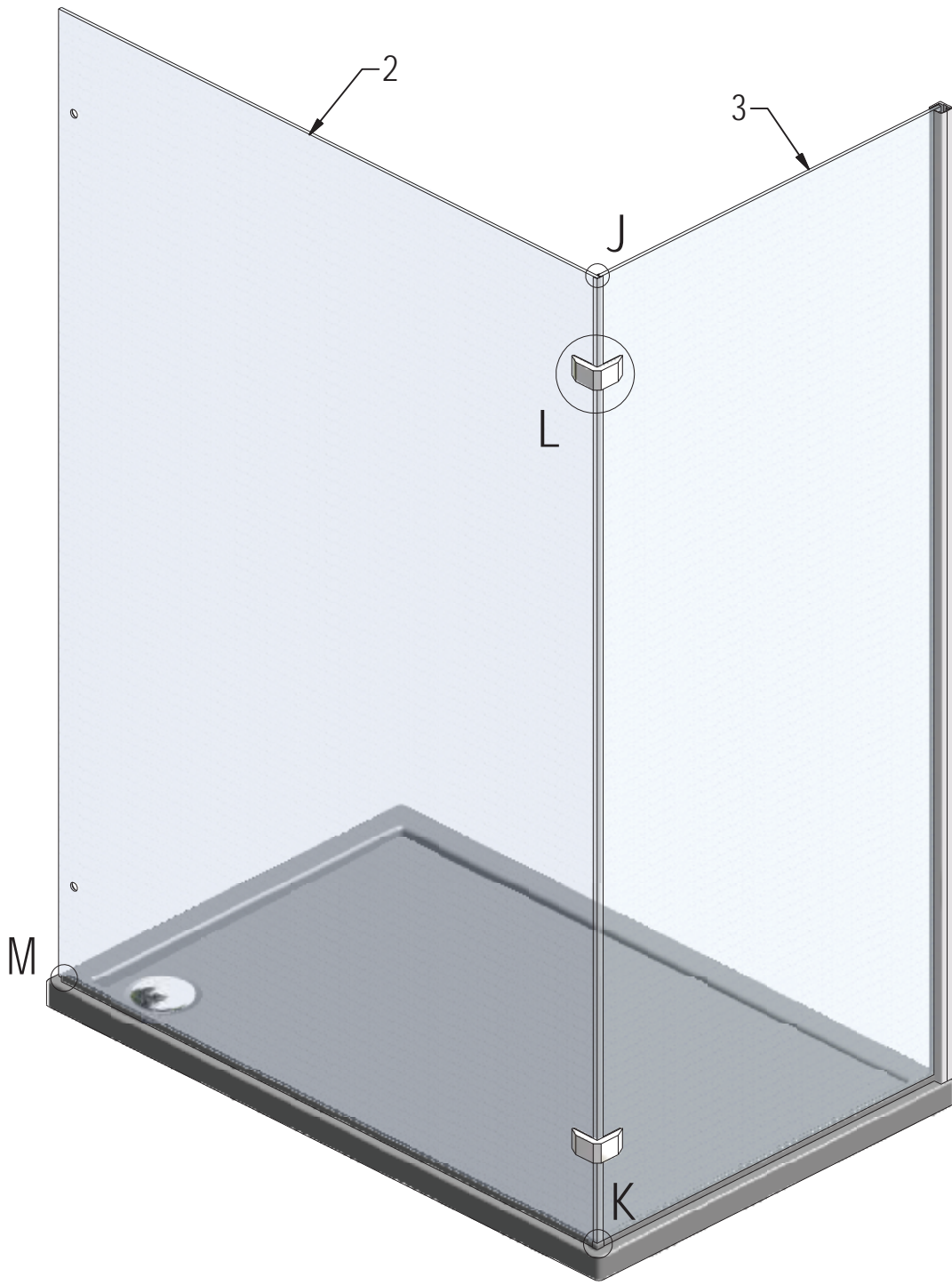
Right version

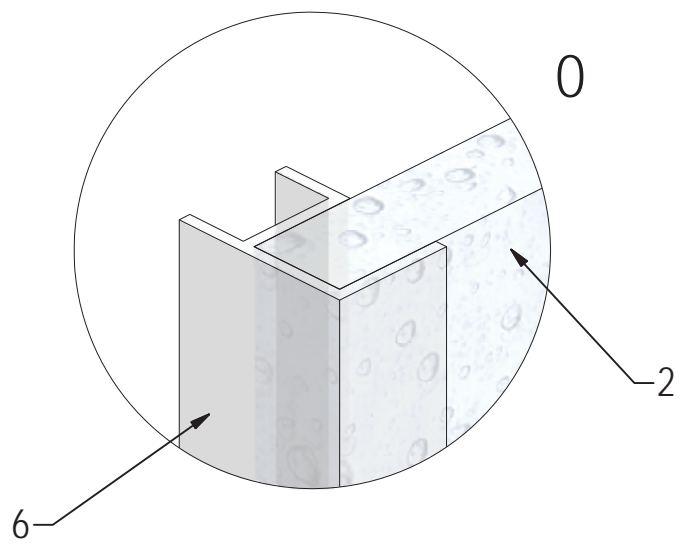
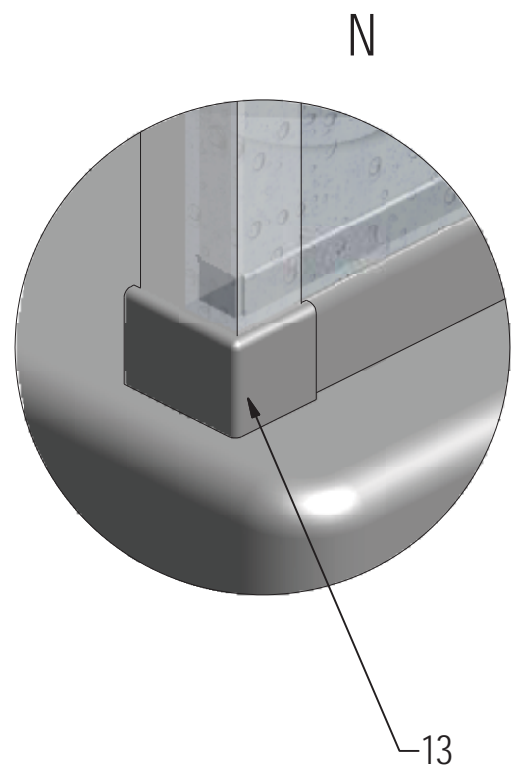
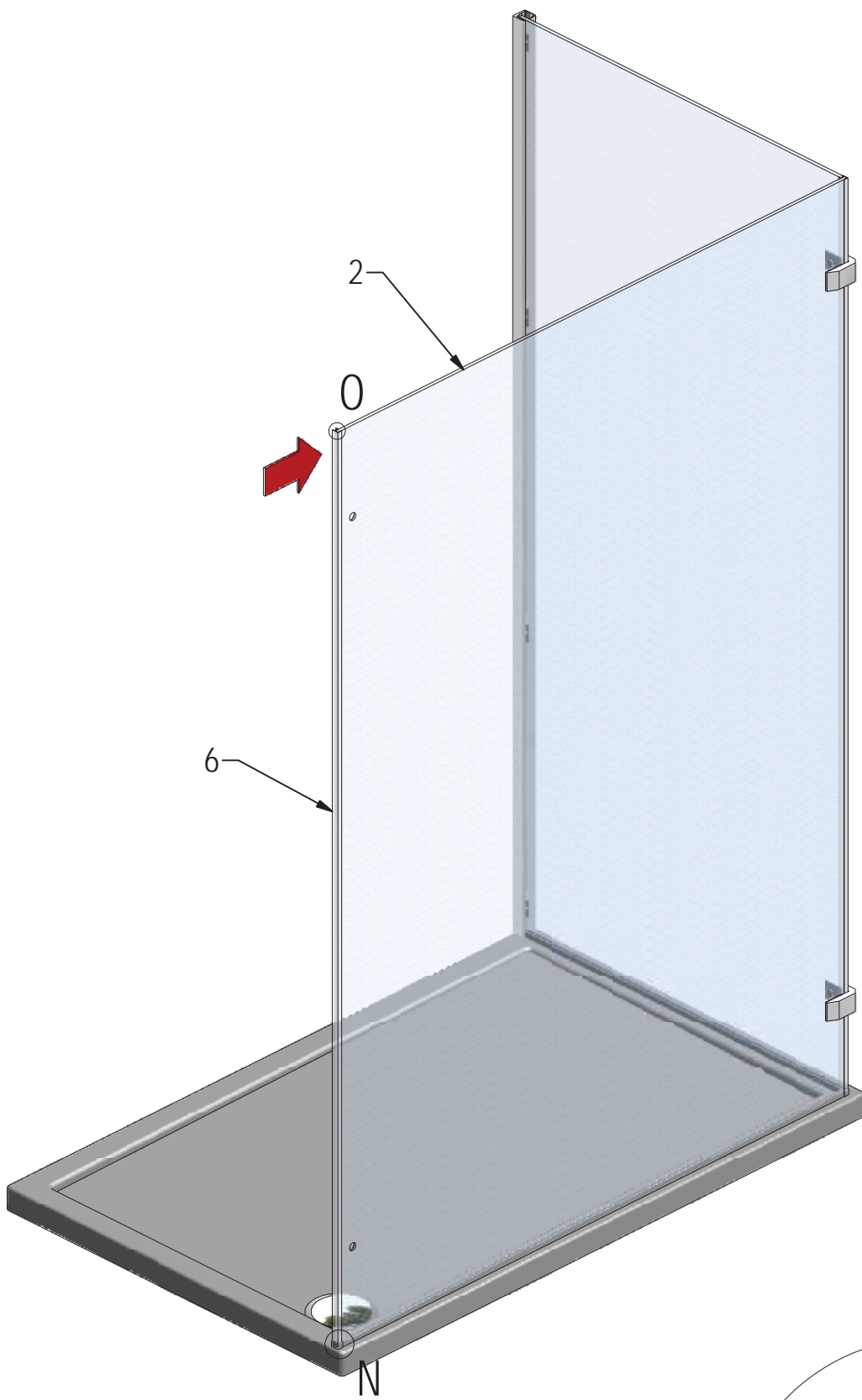


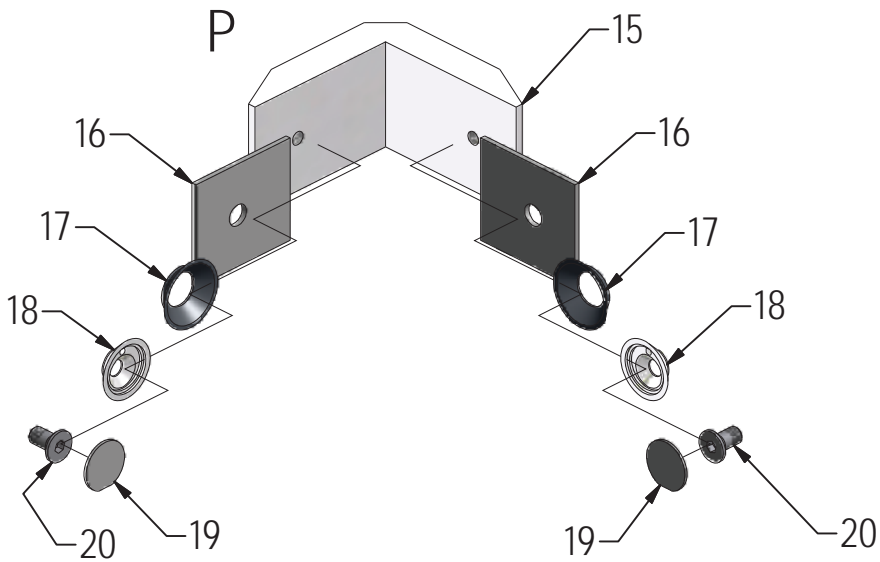
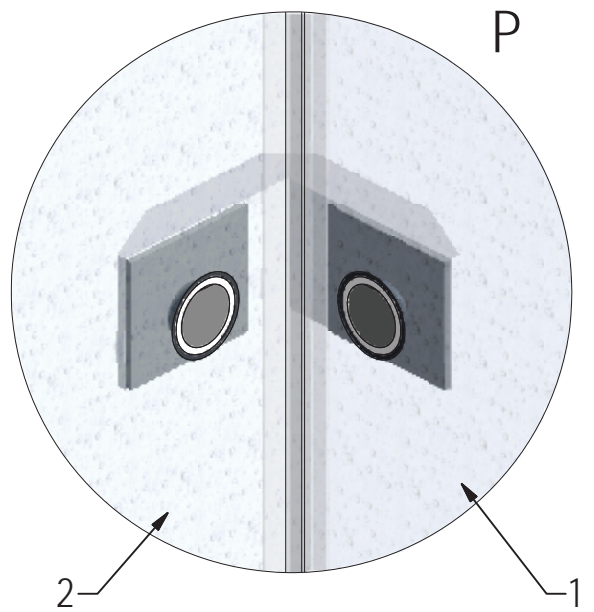
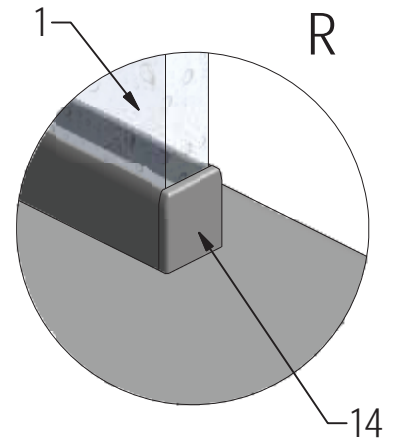
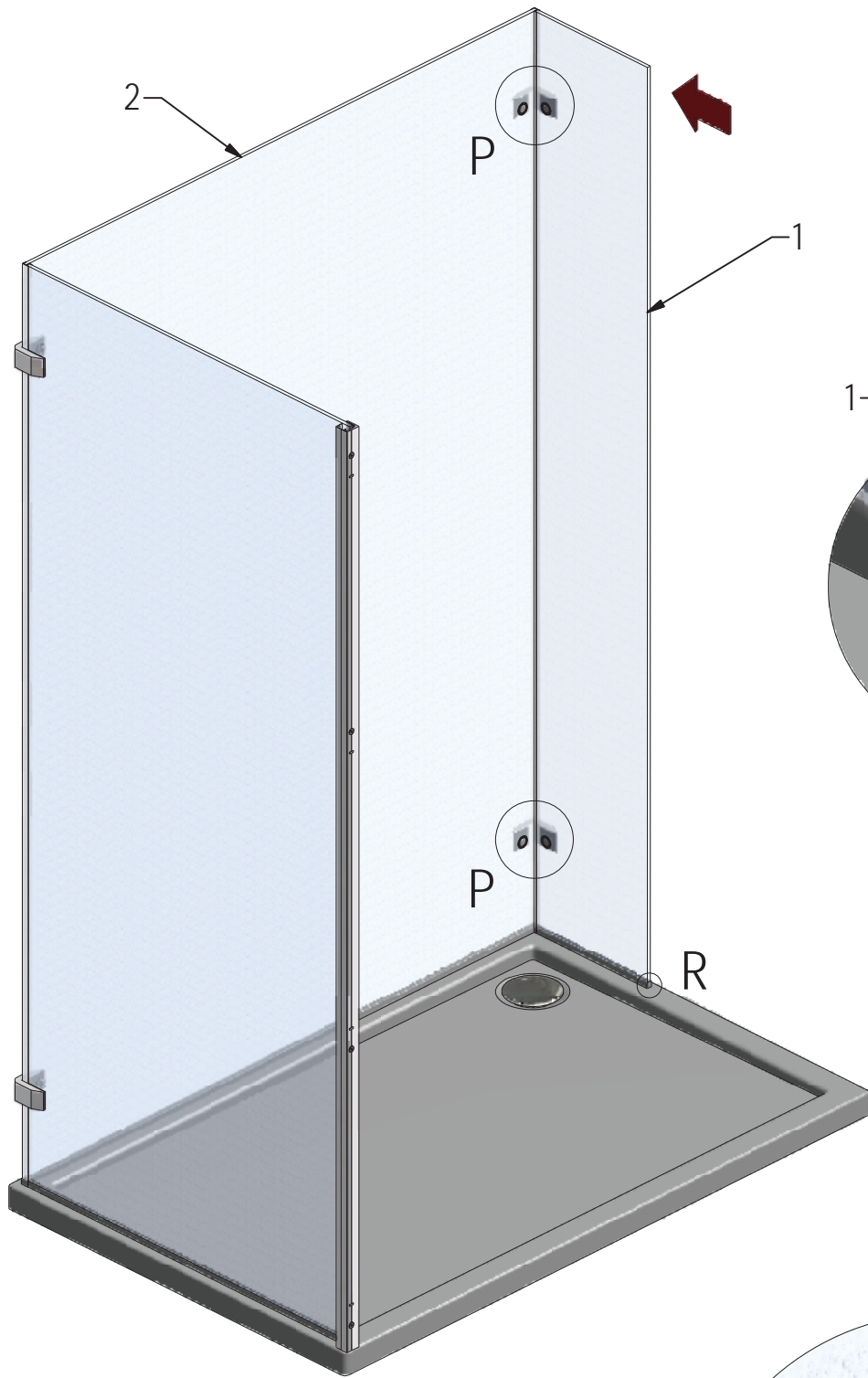


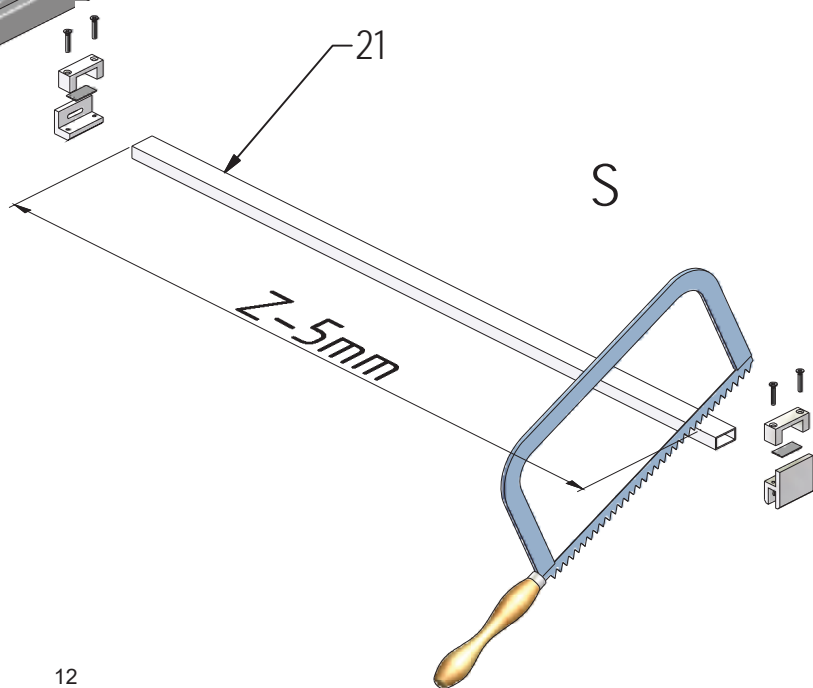
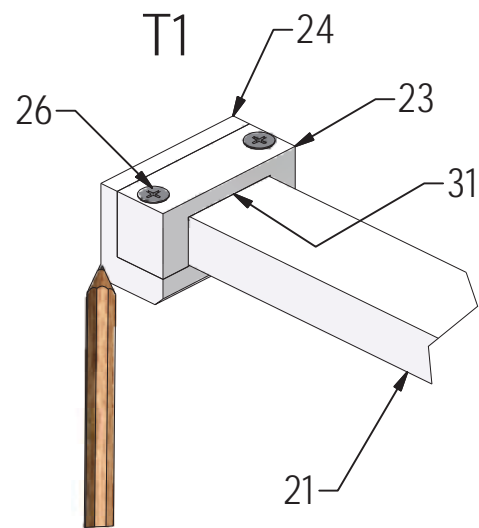
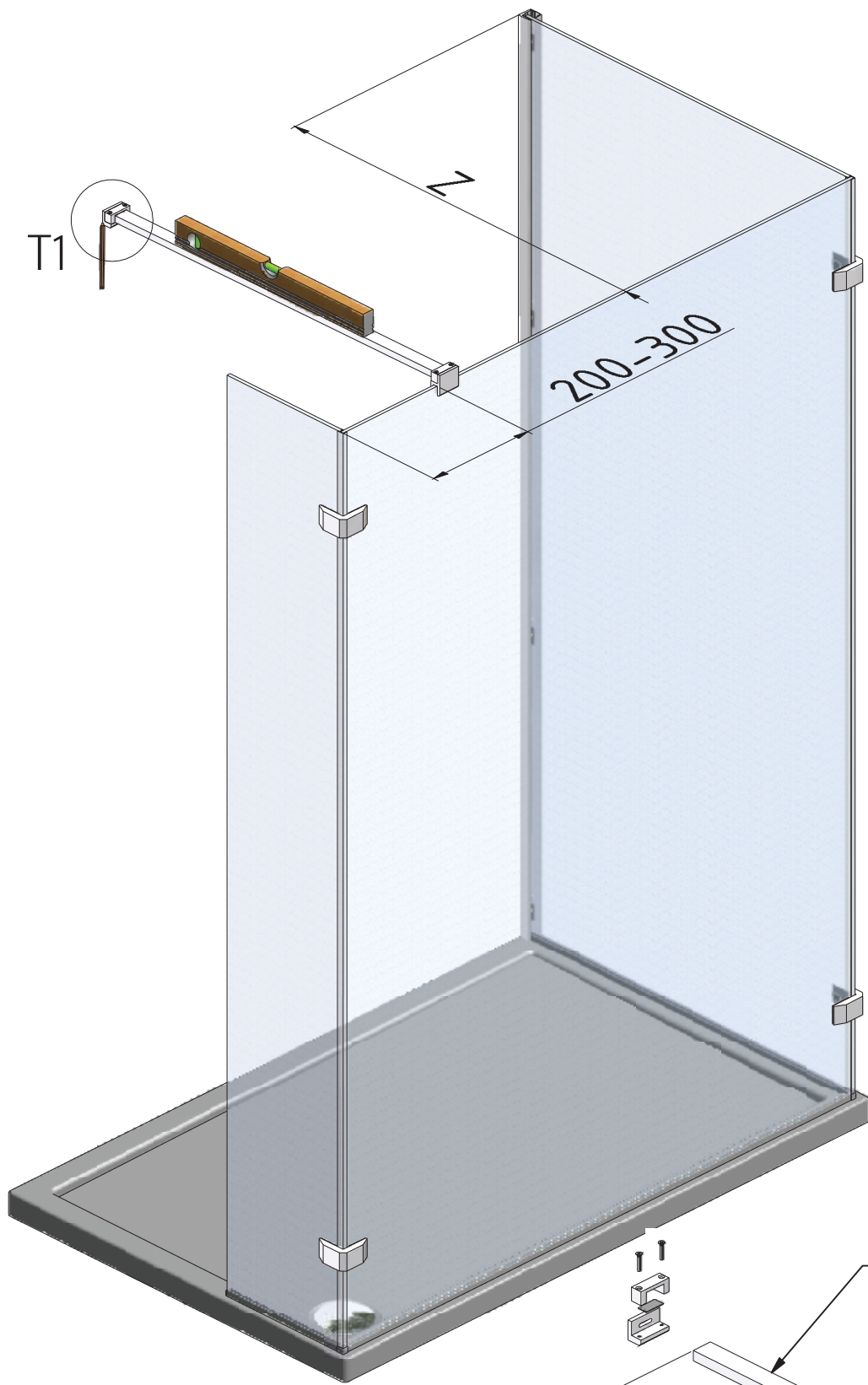




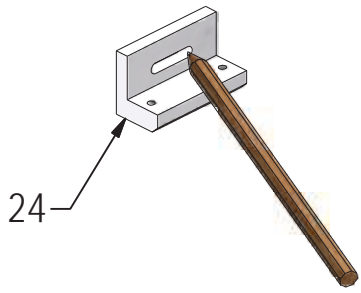




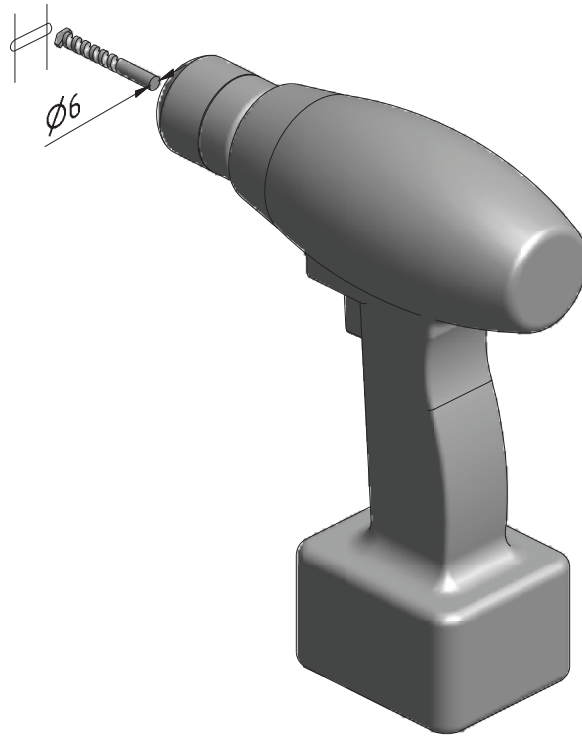




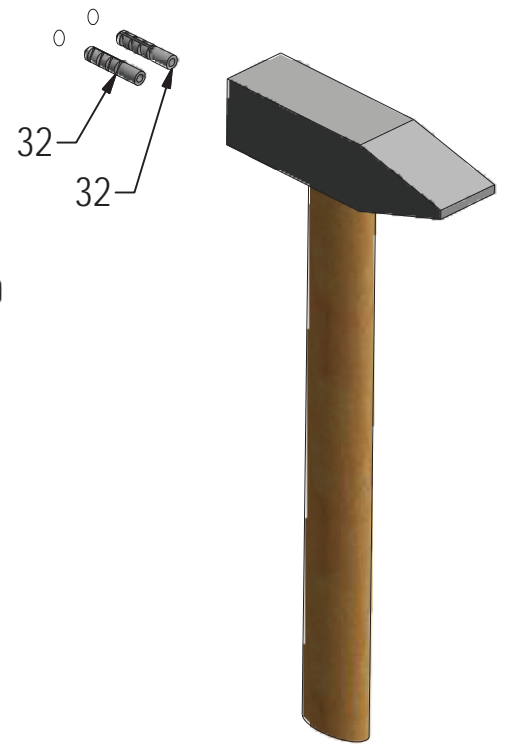
T2



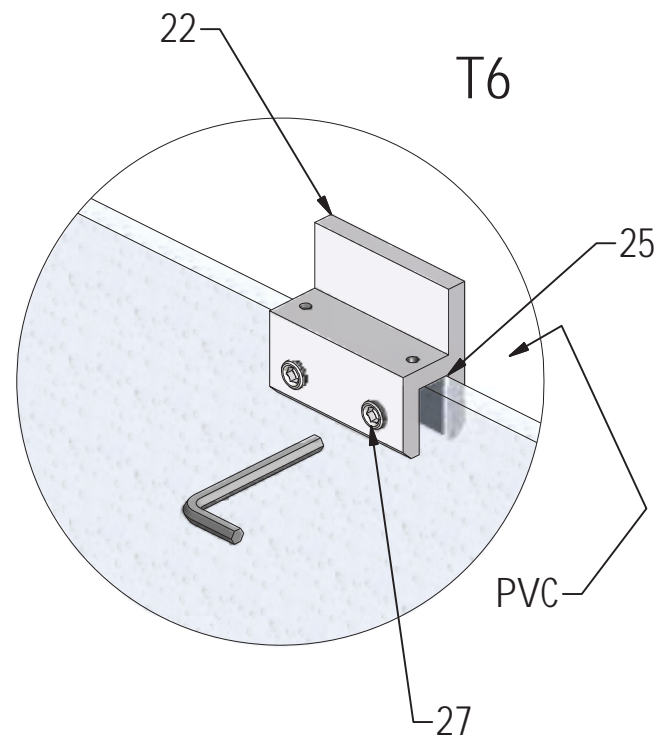
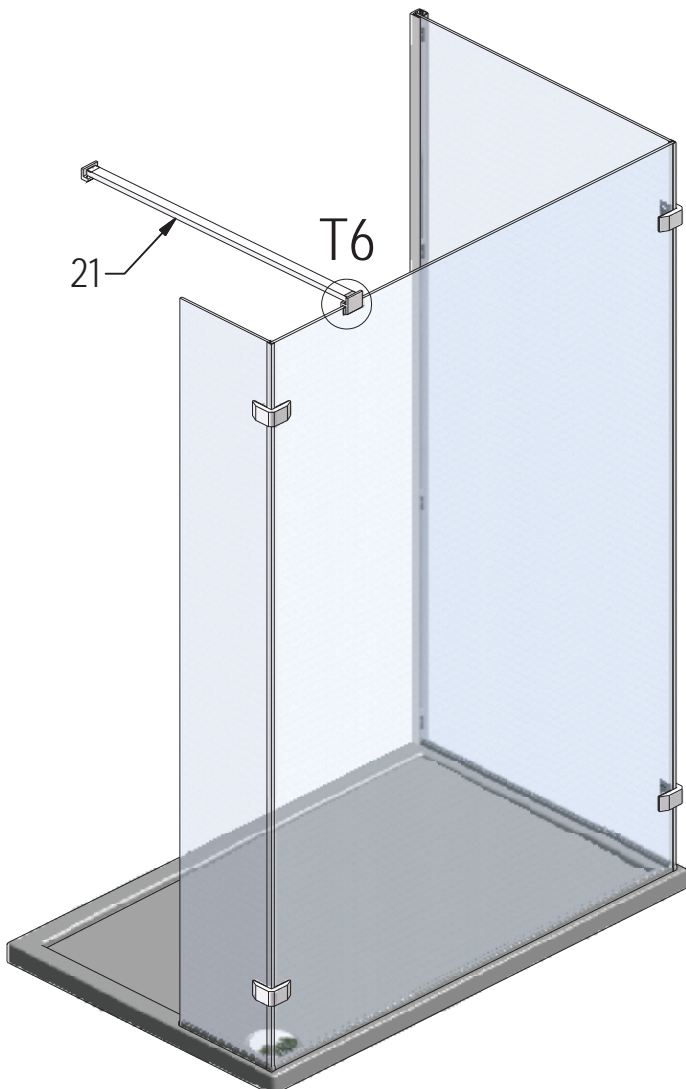
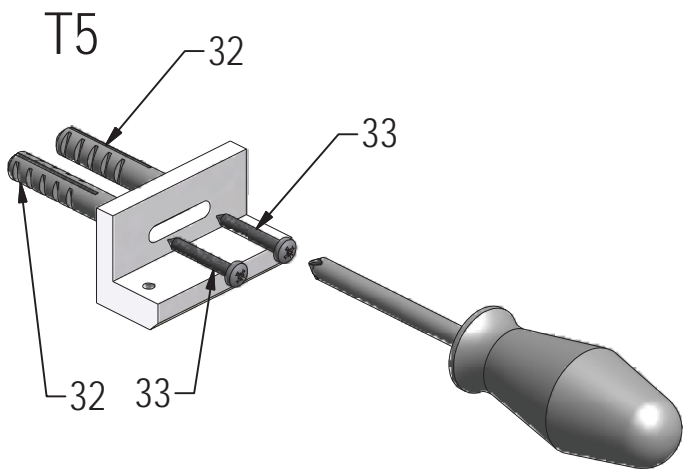
T3

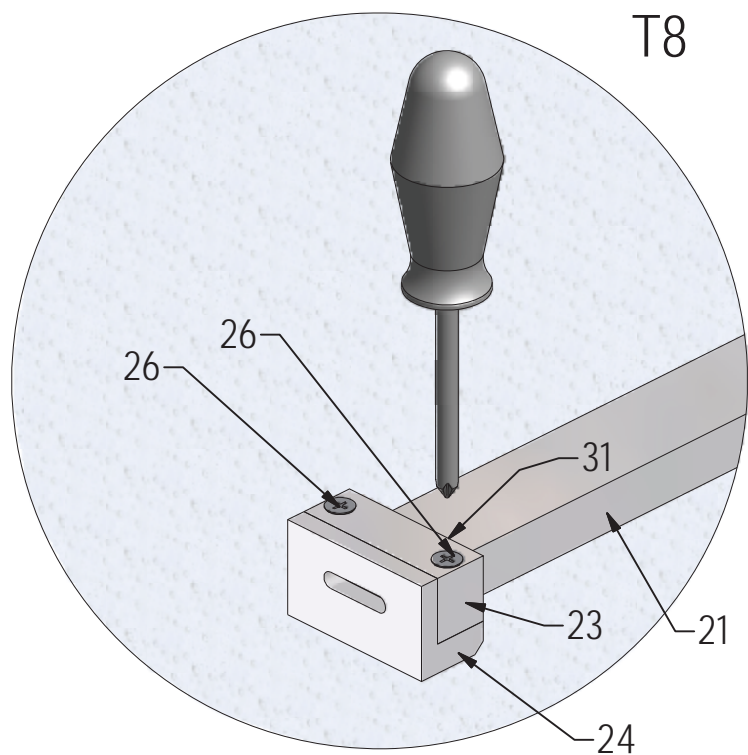
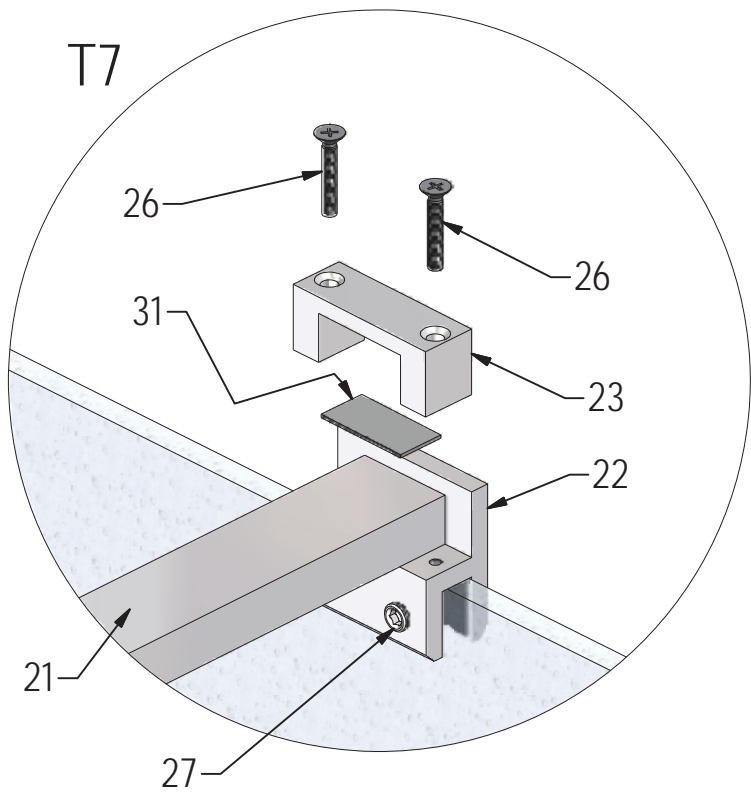
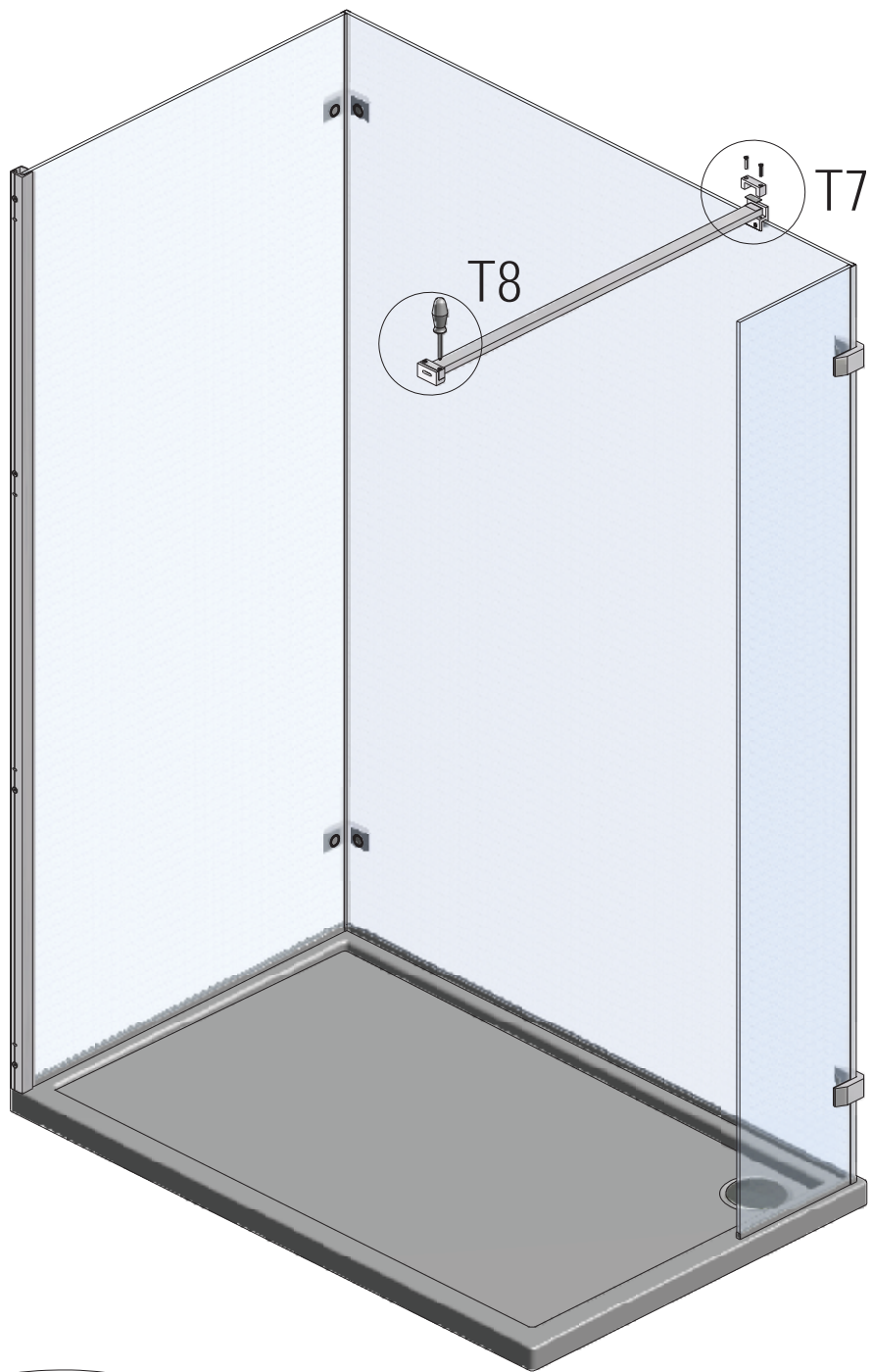


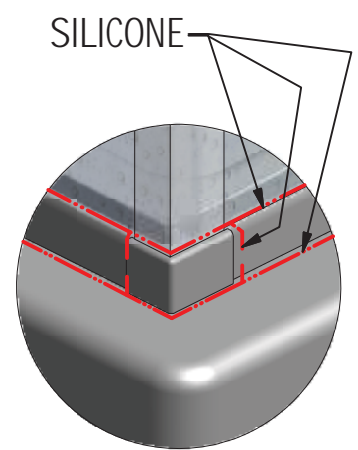
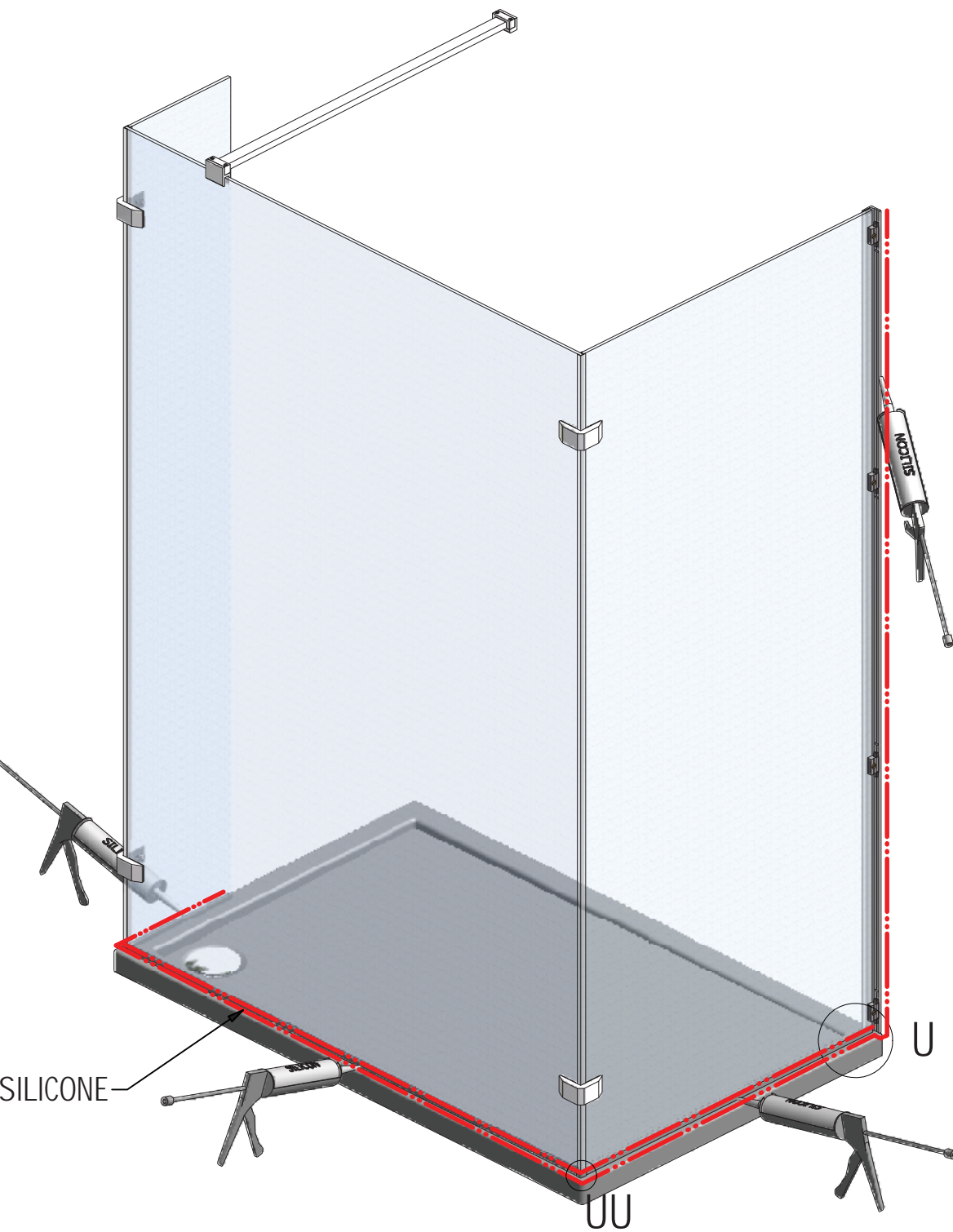
T4



T5





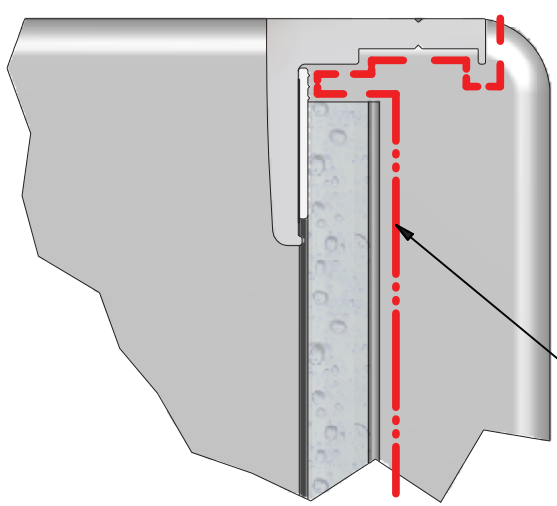


U

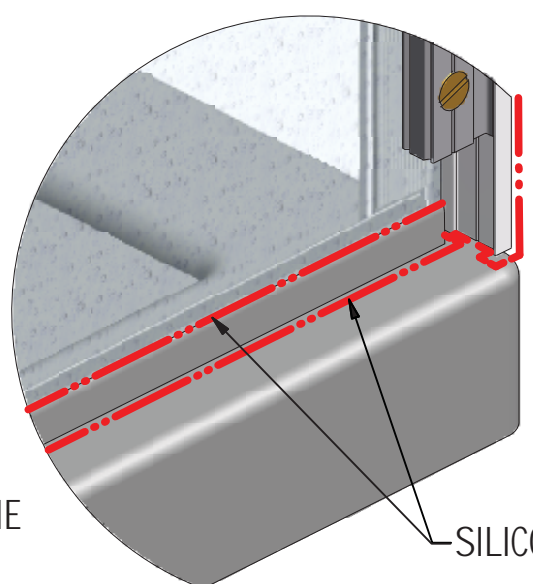
U

UU

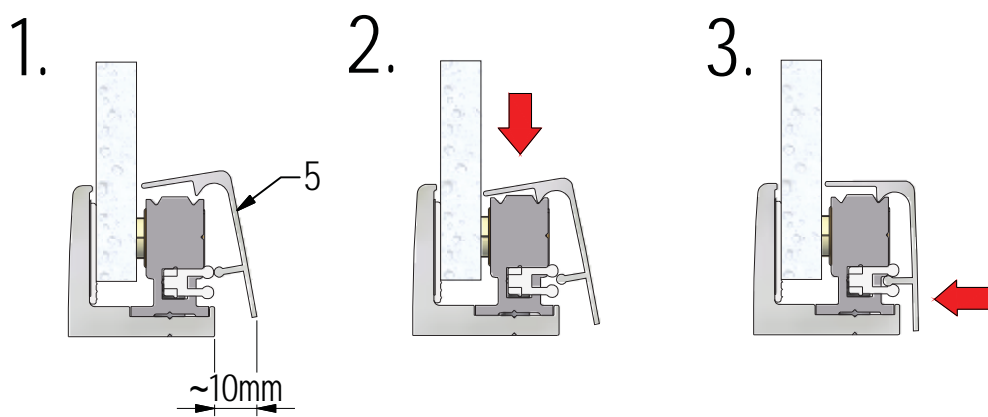
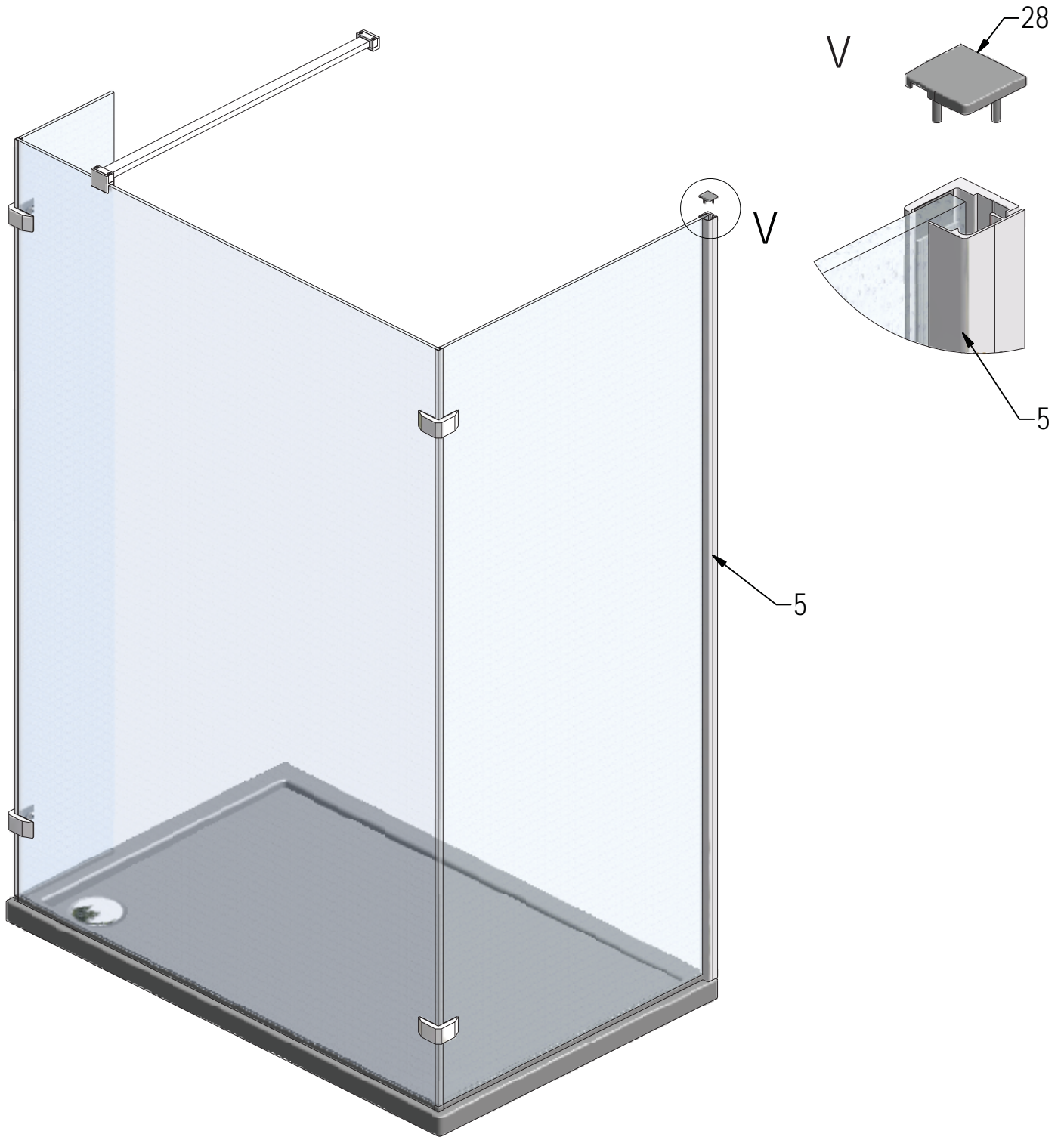
U

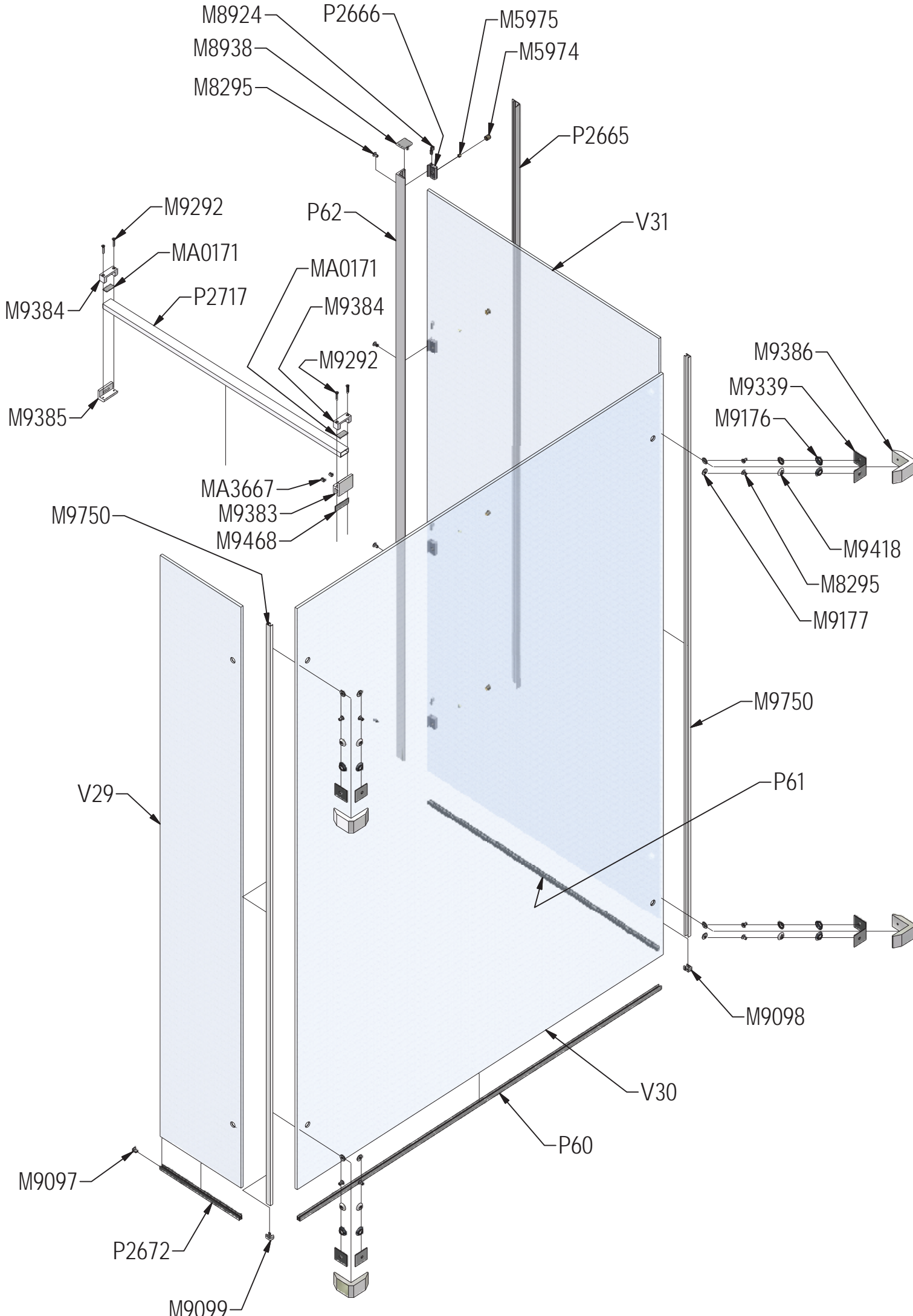


SILICONE



SILICONE





P60	1000		P2722
	1200		P2723
	1400		P2673
	1500		P2724
P61	800		P2726
	900		P2727
	1000		P2728
P62			ND01-2361-00

V29		clear glass	ND03-0362-00-02
V30	1000	clear glass	ND03-0363-00-02
	1200	clear glass	ND03-0364-00-02
	1400	clear glass	ND03-0365-00-02
1500	clear glass	ND03-0366-00-02	
V31	800	clear glass	ND03-0367-00-02
	900	clear glass	ND03-0368-00-02
1000	clear glass	ND03-0369-00-02	

