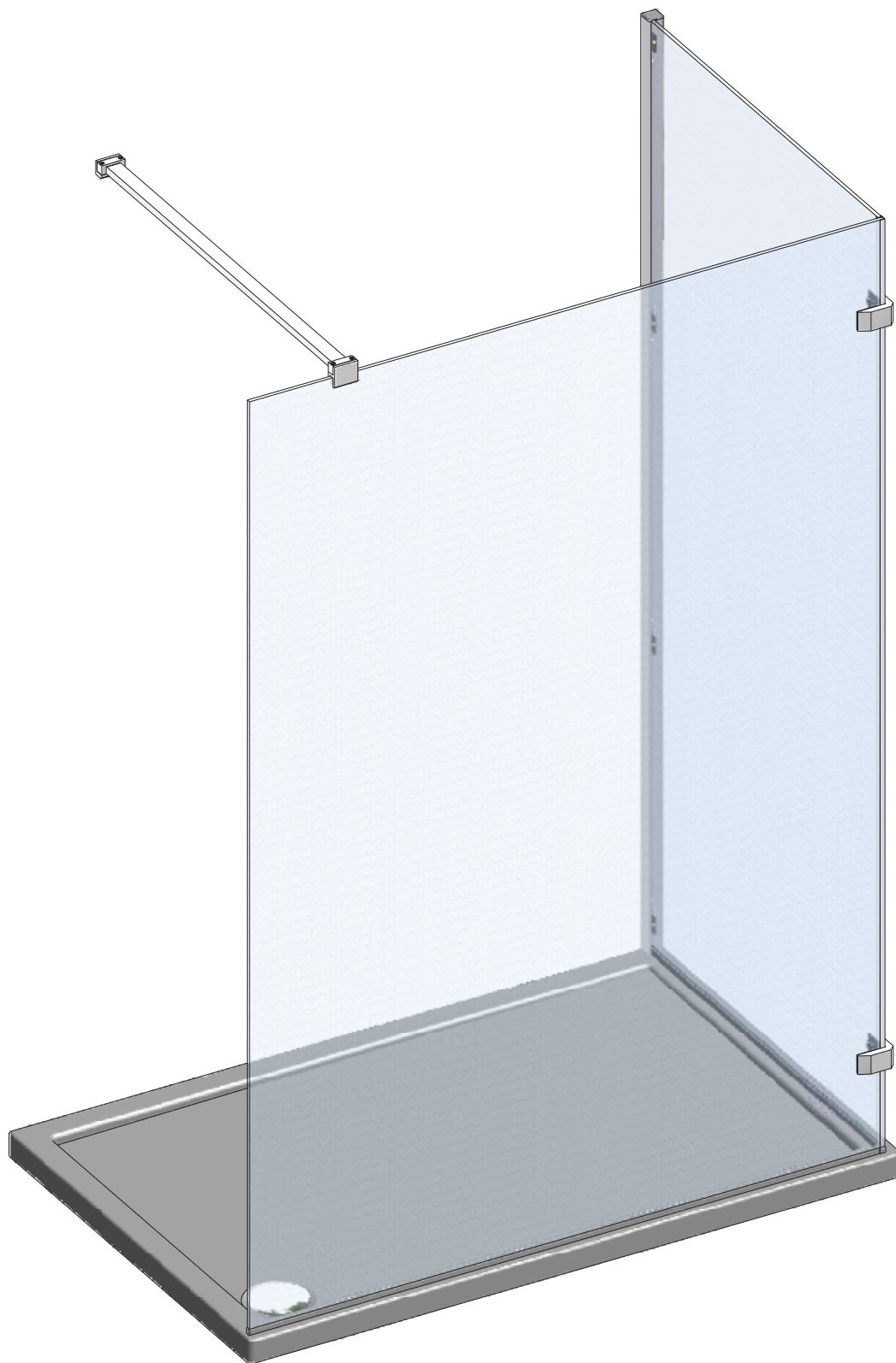
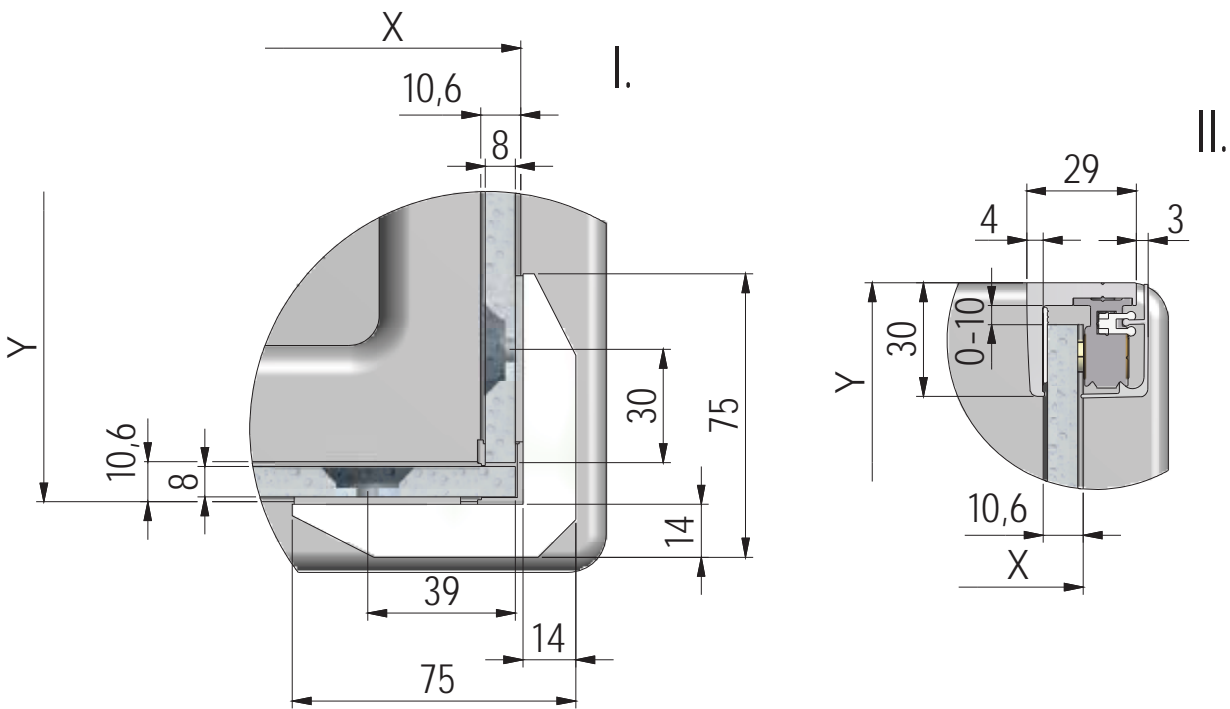
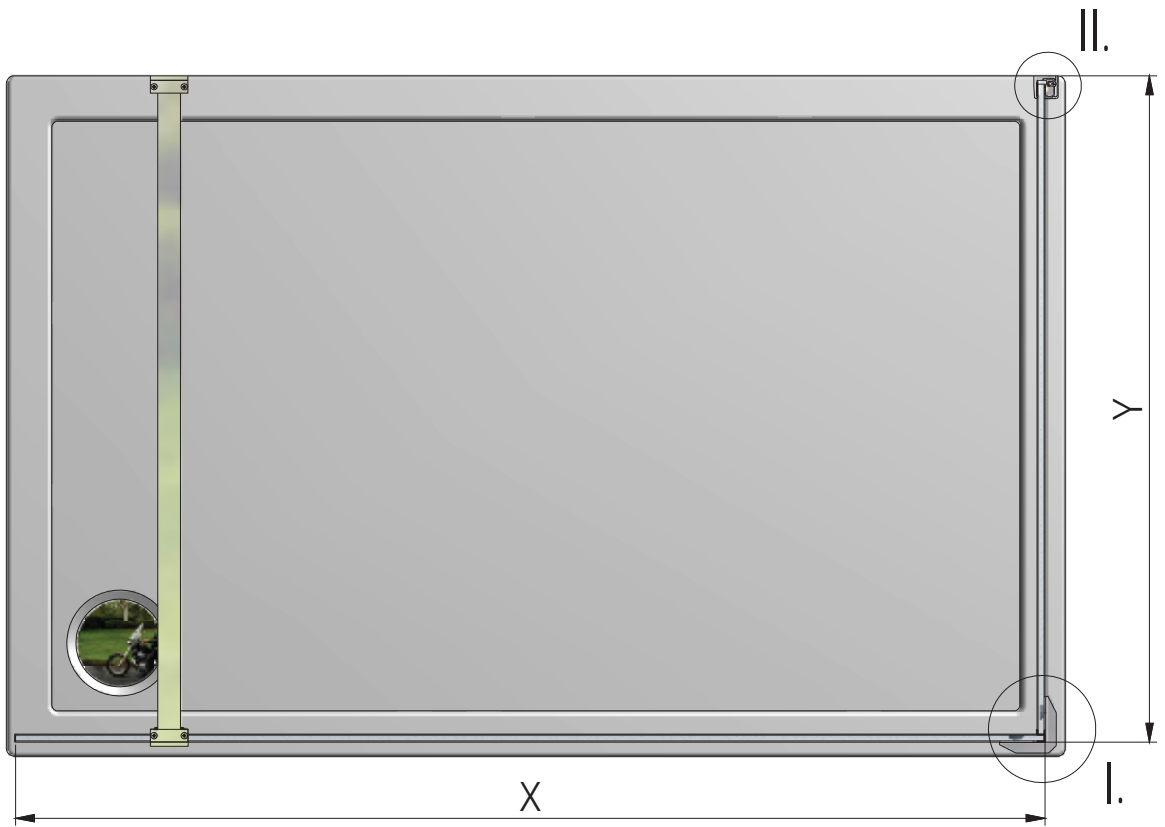


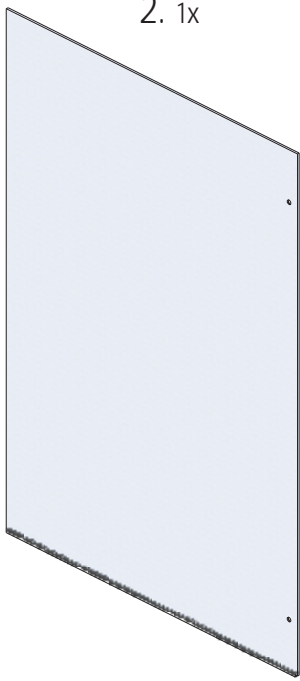
WALK F



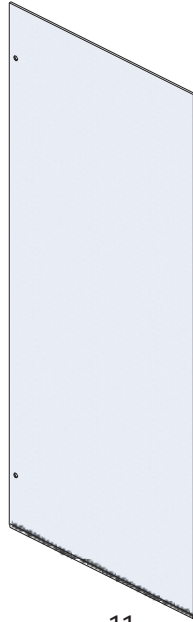


WALK F			
	X (mm)	Y MIN (mm)	Y MAX (m)
800	-	777	787
900	-	877	887
1000	962	977	987
1200	1162	-	-
1400	1362	-	-
1500	1462	-	-

2. 1x



3. 1x



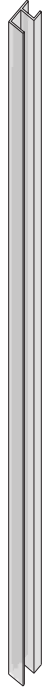
4. 1x



5. 1x
P2665



6. 1x
M9750



7. 4x
M0511



8. 4x
M0811



9. 4x
M5974



10. 4x
M5975



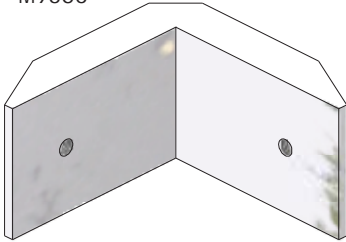
11. 4x
M8924



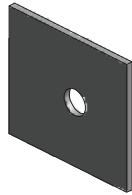
14. 2x
M9097



15. 2x
M9386



16. 4x
M9339



17. 4x
M9176



18. 4x
M9418



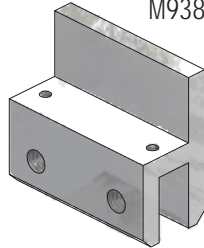
19. 4x
M9177



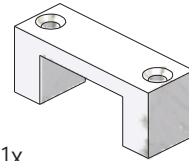
20. 4x
M8295



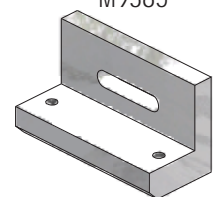
22. 1x
M9383



23. 2x
M9384



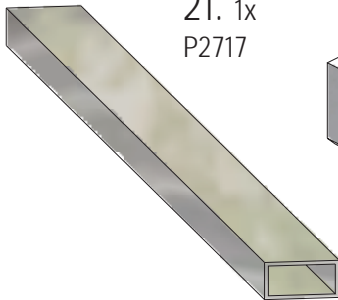
24. 1x
M9385



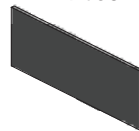
32. 2x
MA0618



21. 1x
P2717



25. 1x
M9468



26. 4x
M9292



27. 2x
MA3667



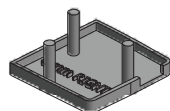
31. 2x
MA0171



33. 2x
MA1343



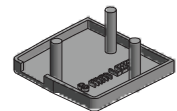
28. 1x
M8938



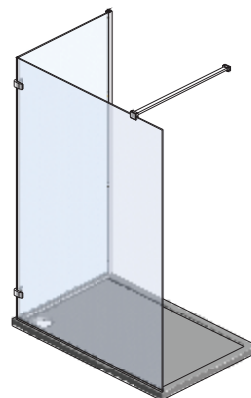
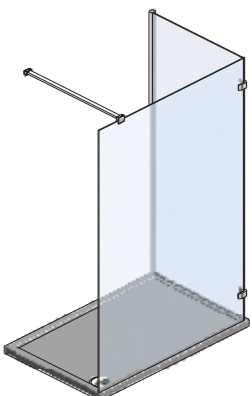
12. 1x
M9098



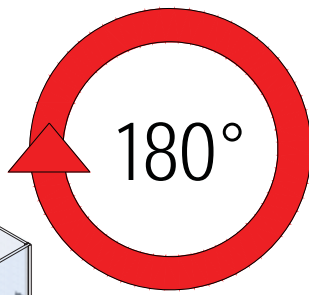
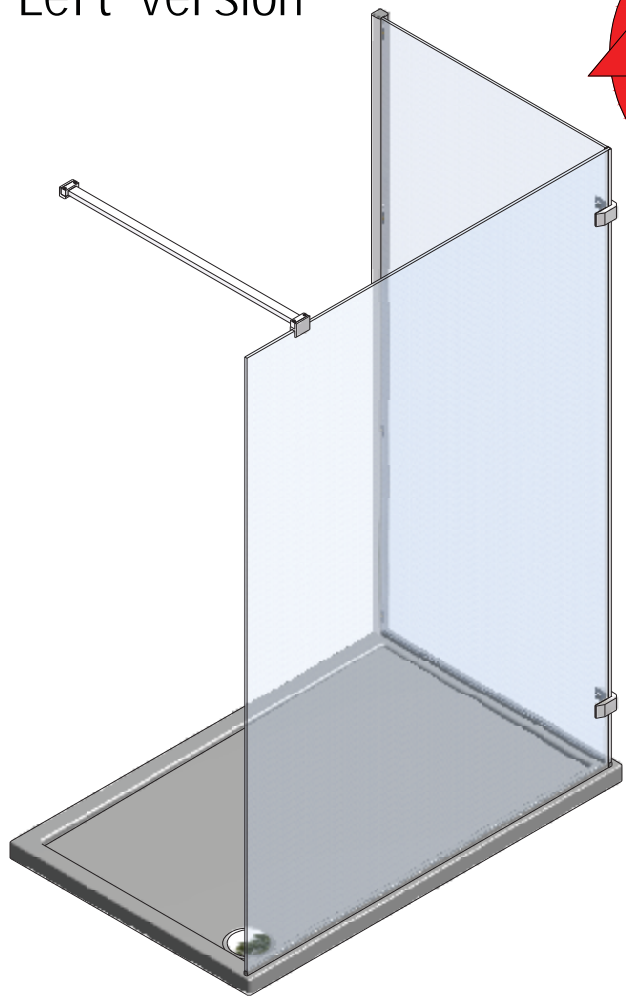
29. 1x
M8937



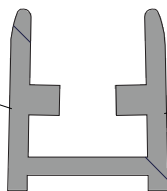
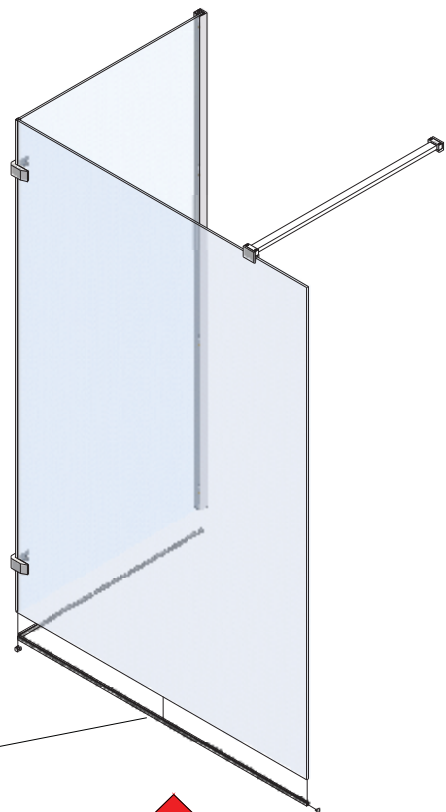
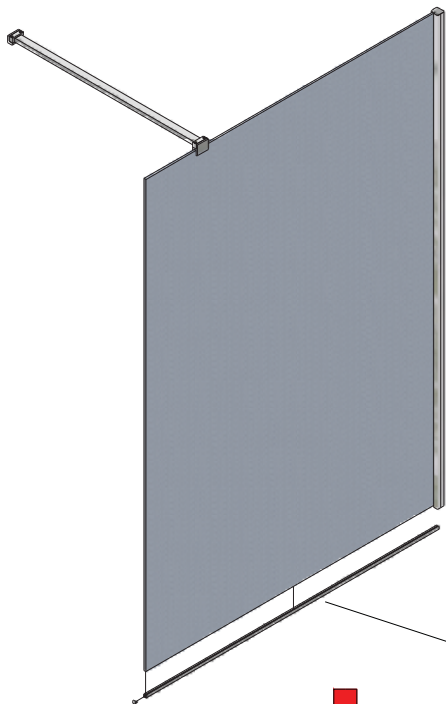
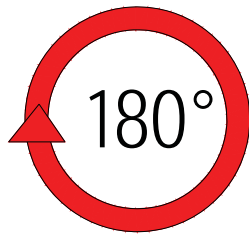
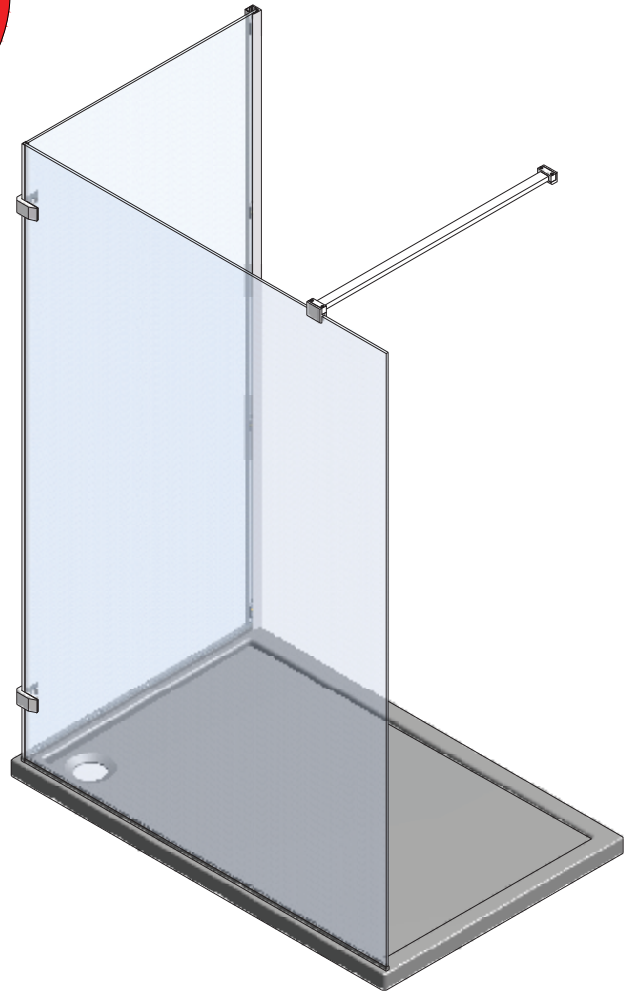
13. 1x
M9099

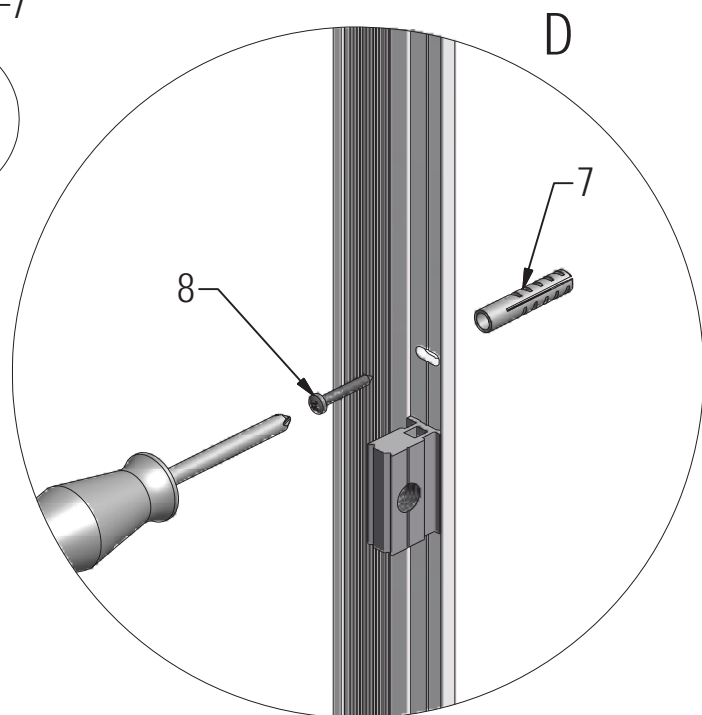
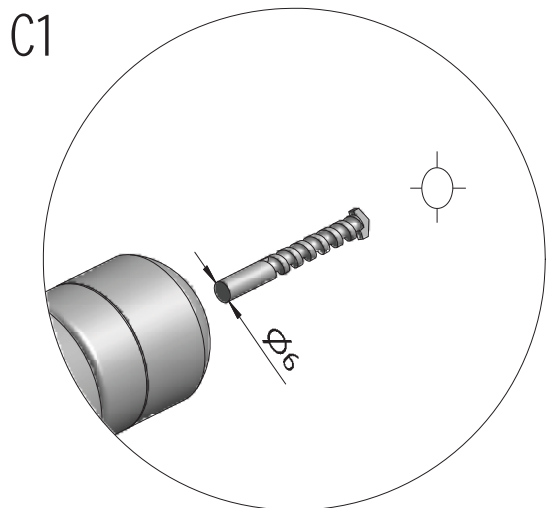
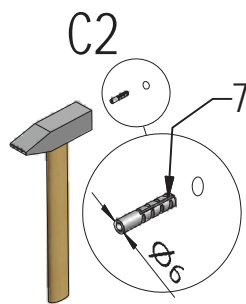
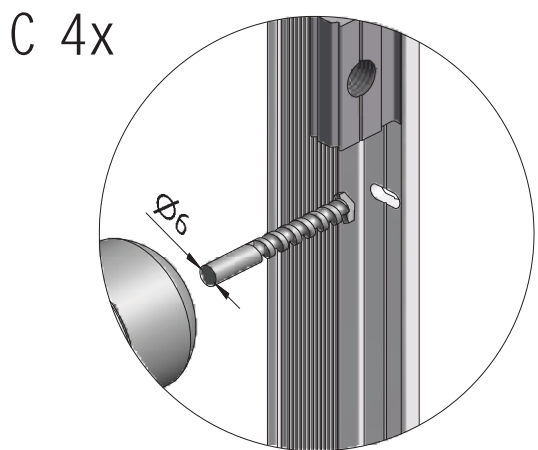
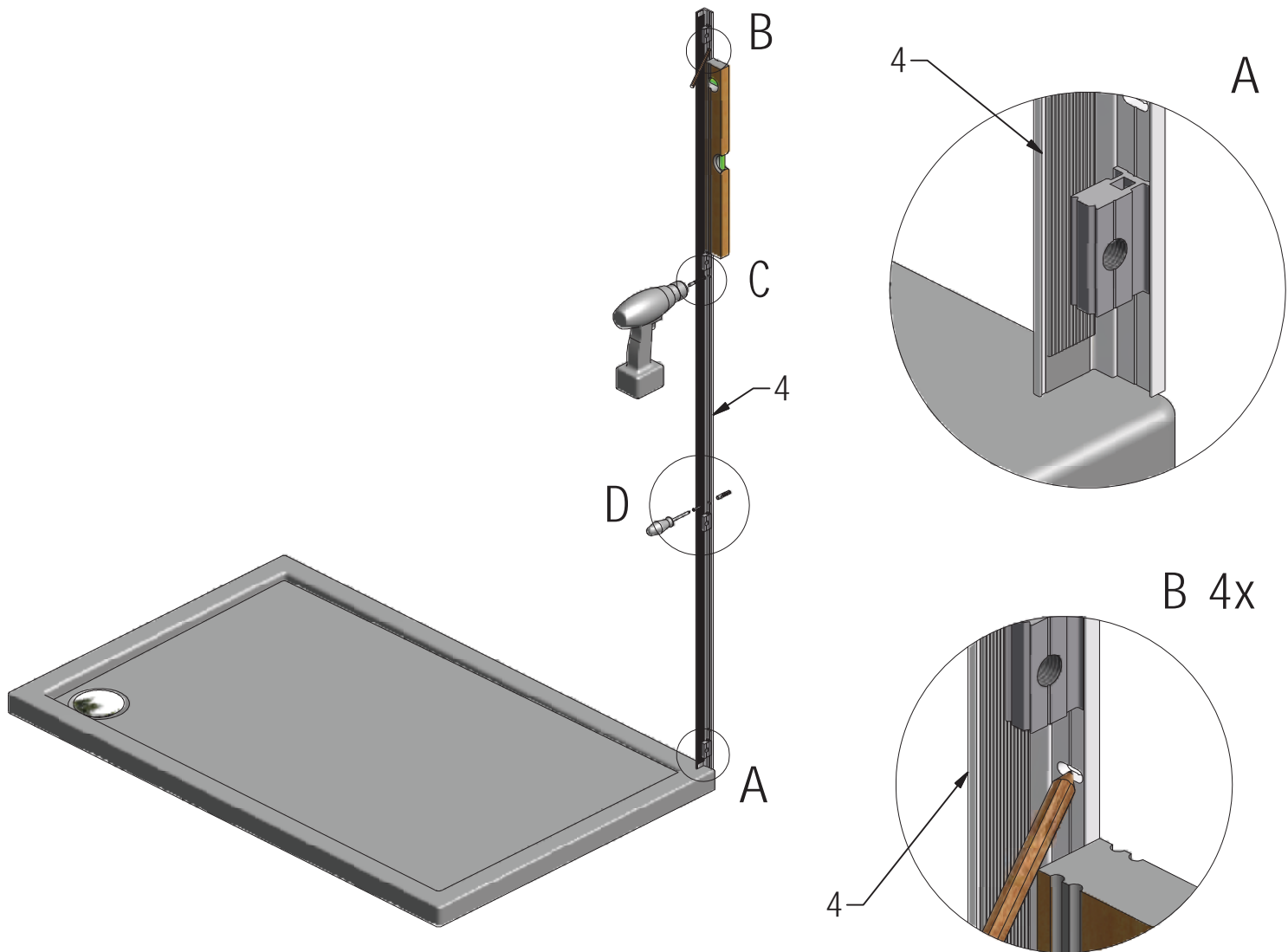


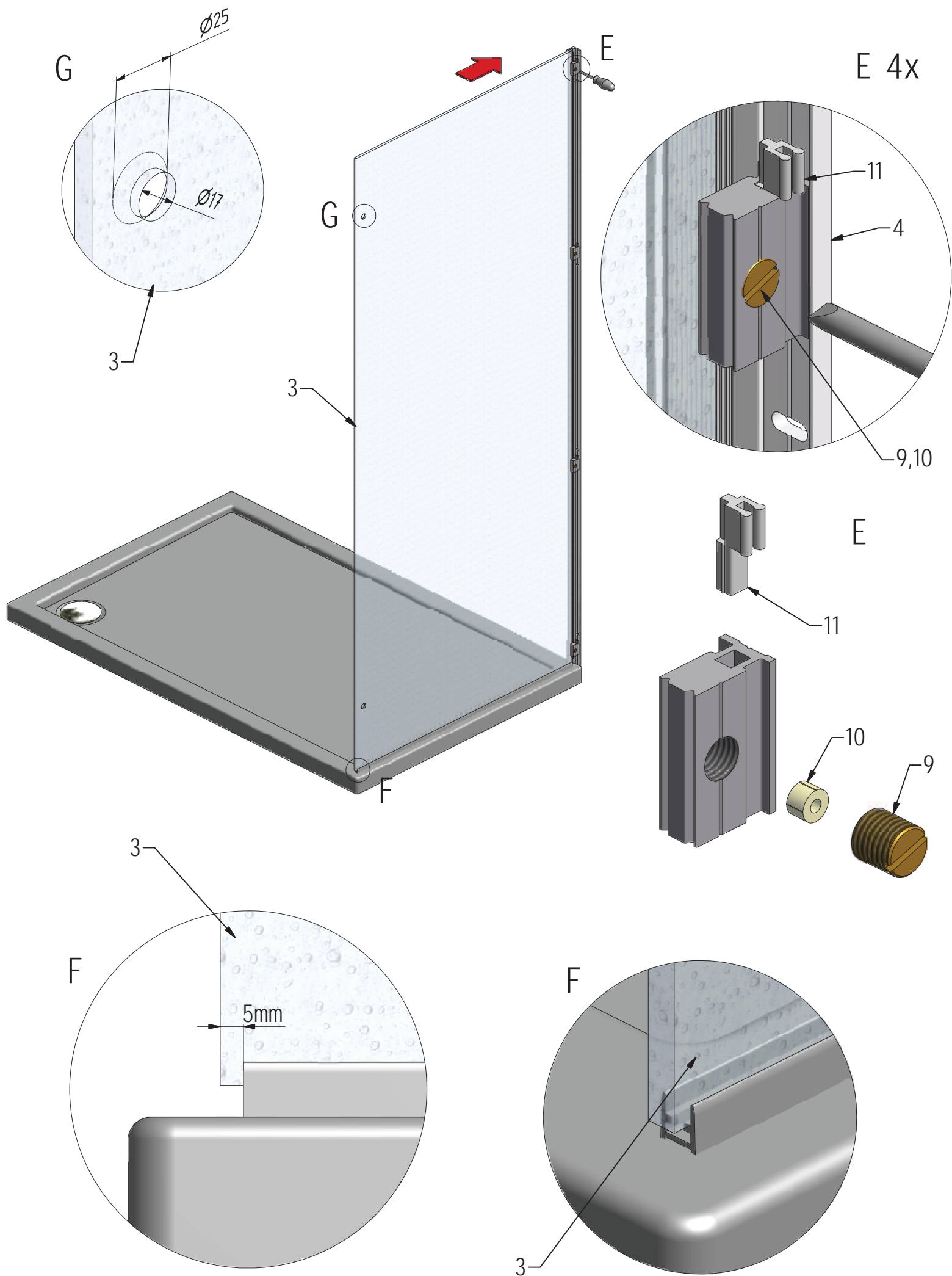
Left version

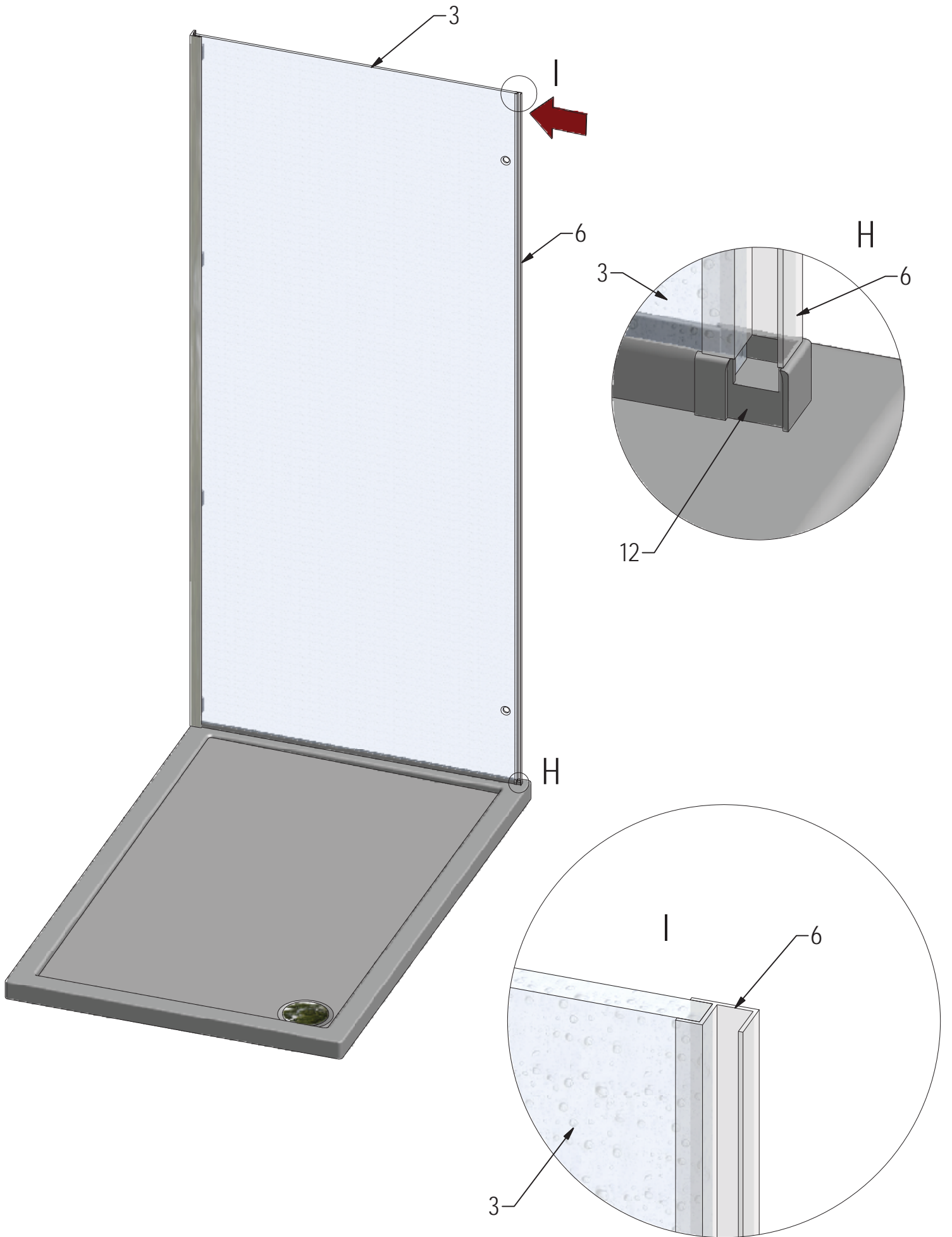


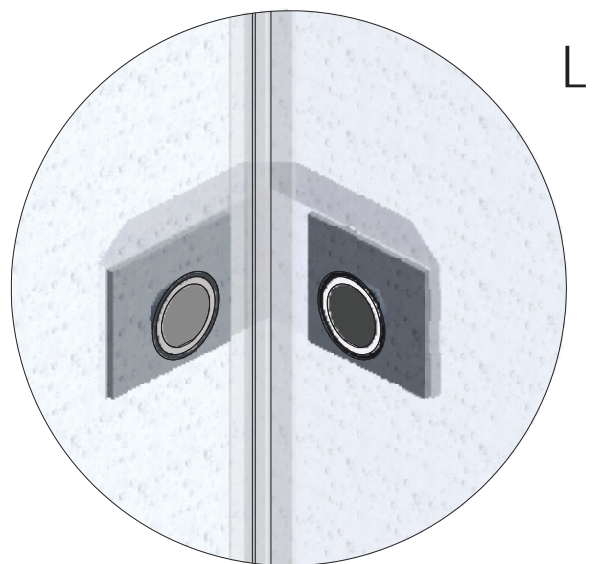
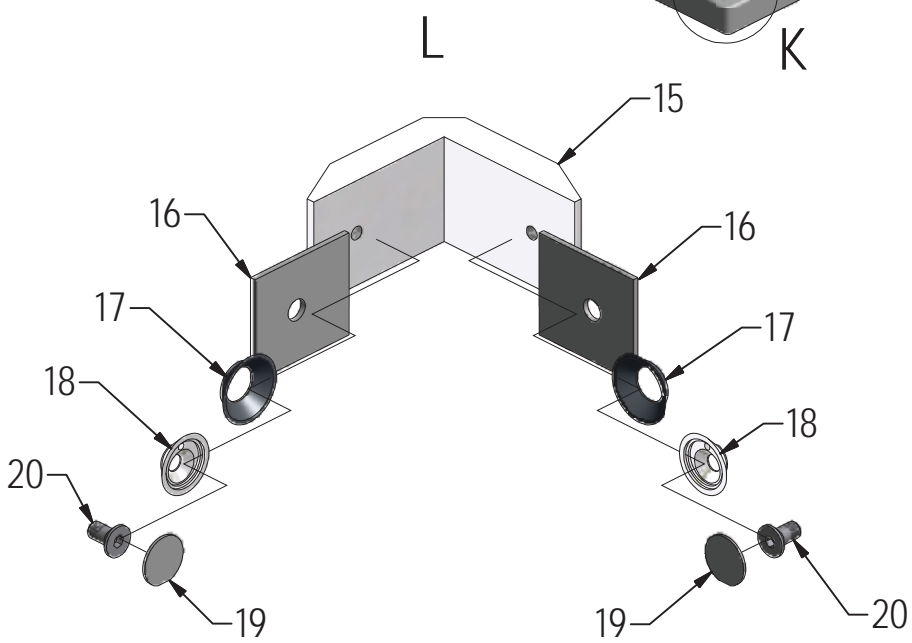
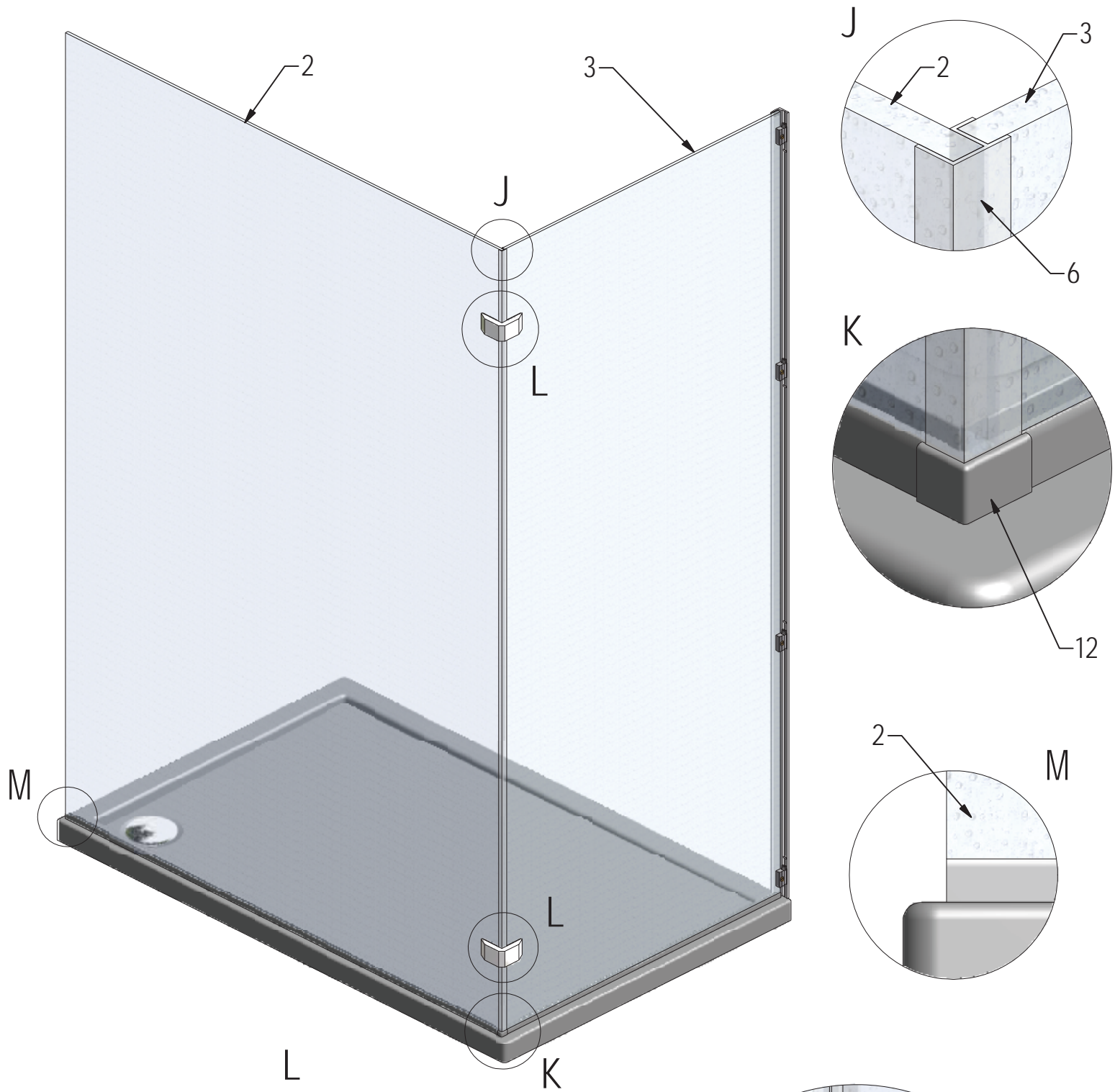
Right version

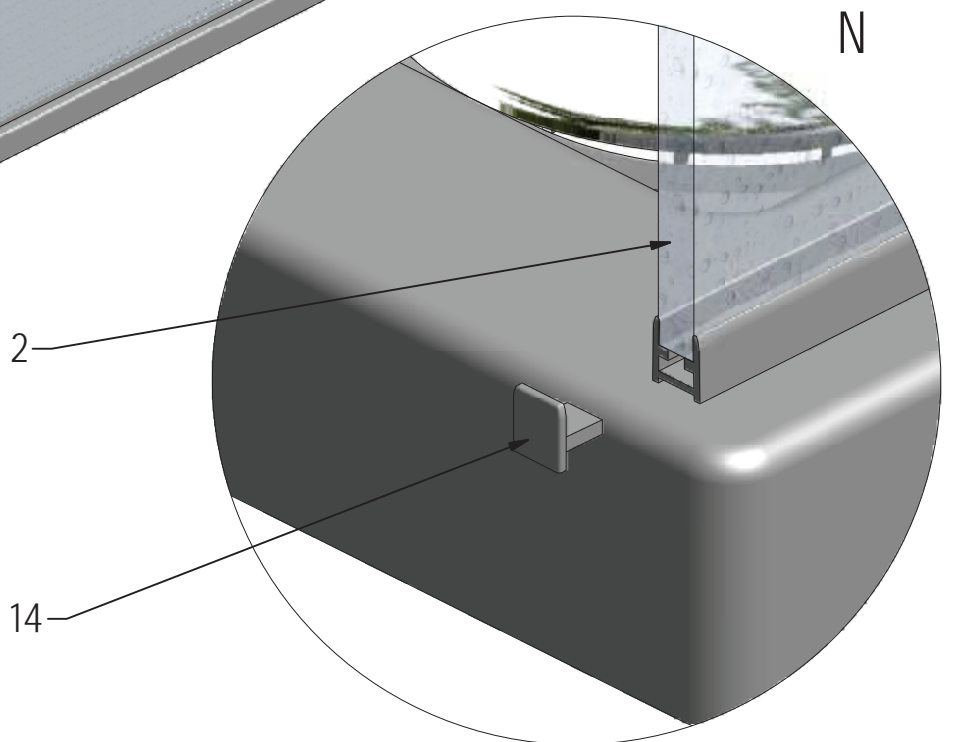
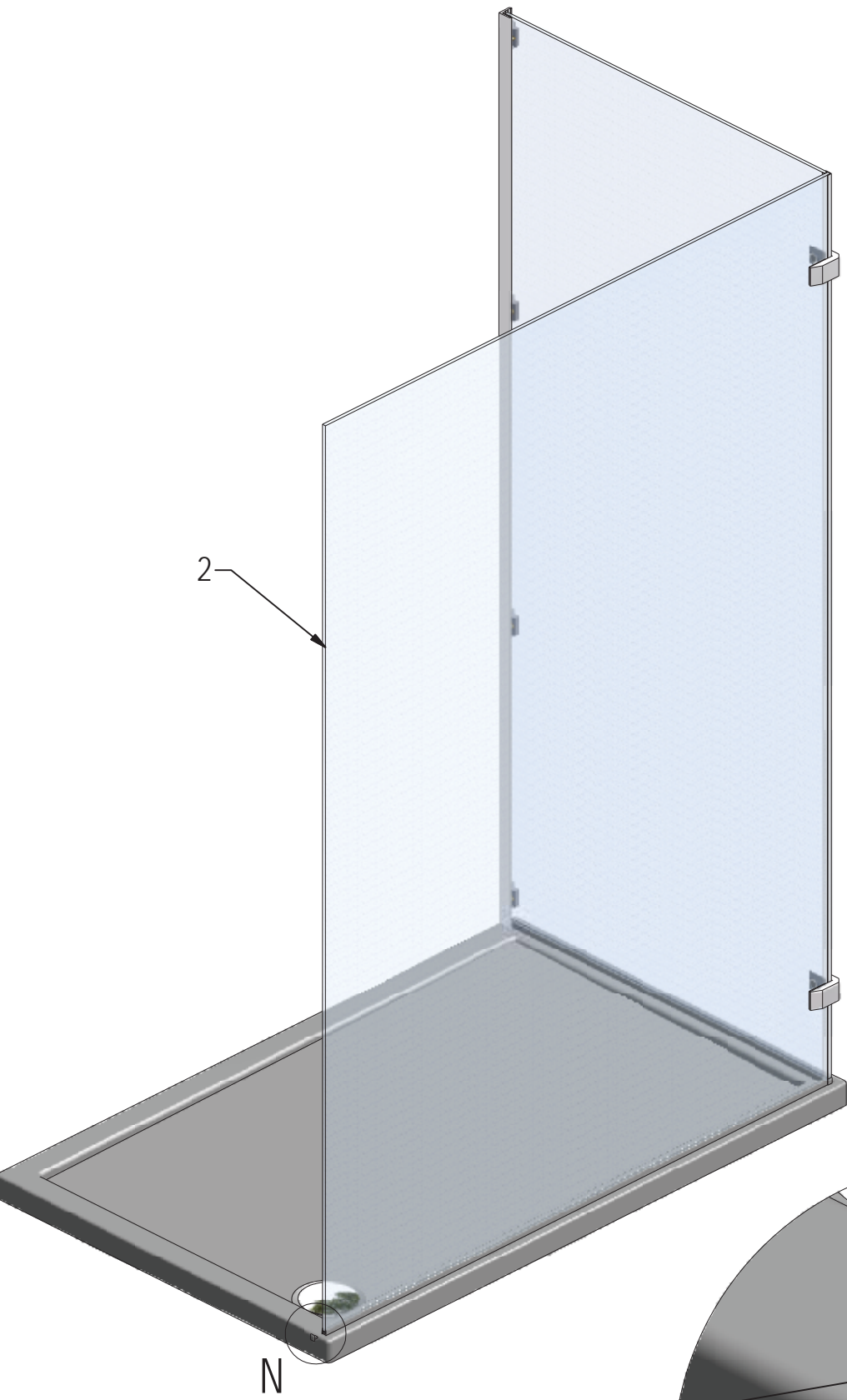


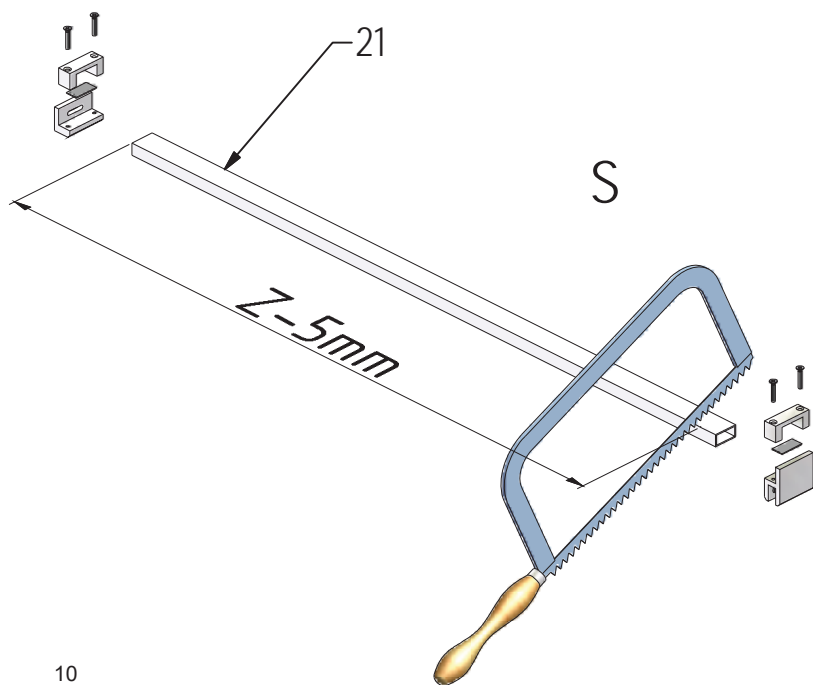
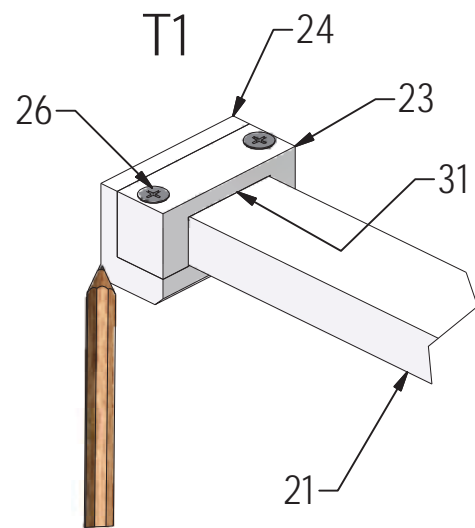
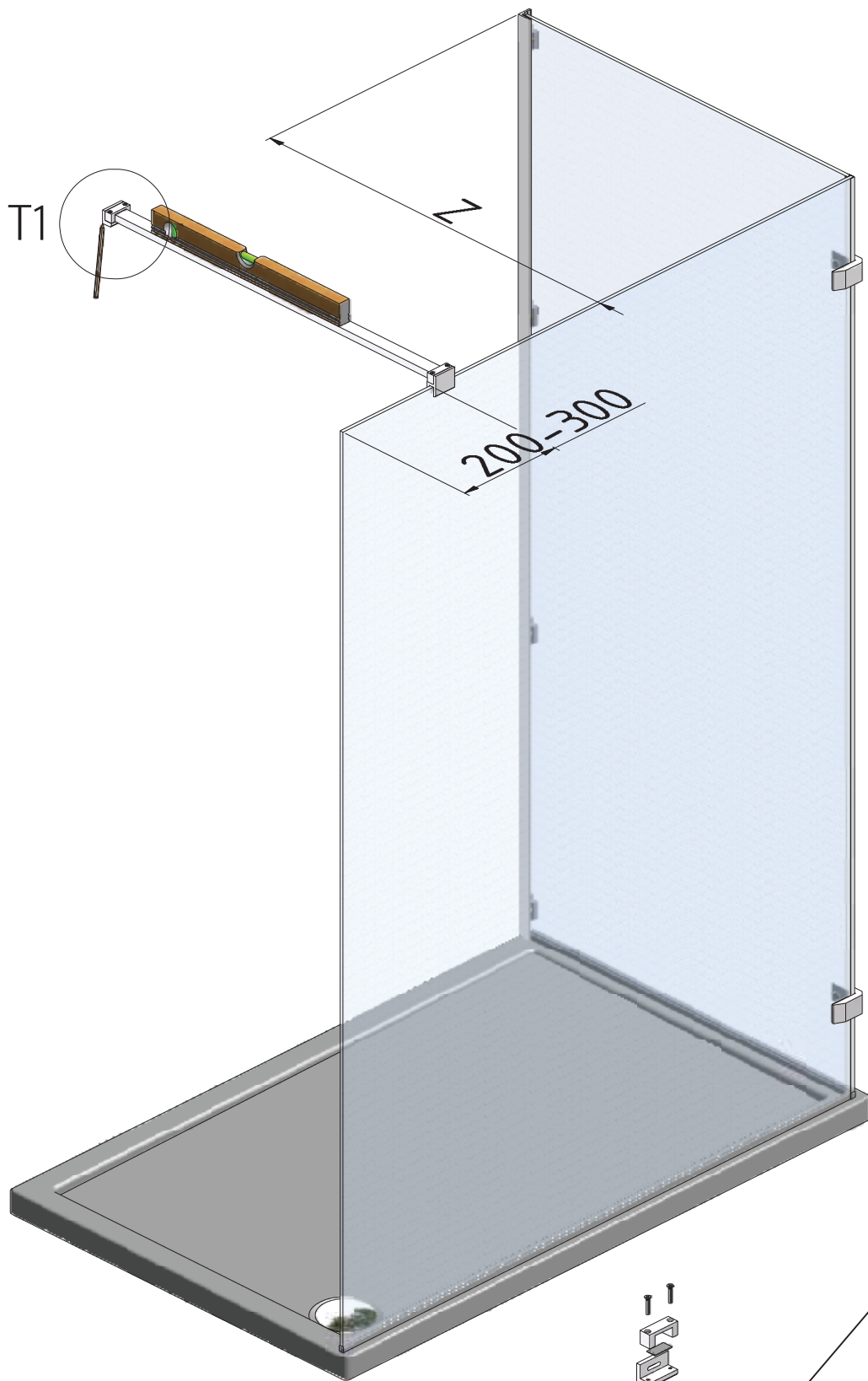




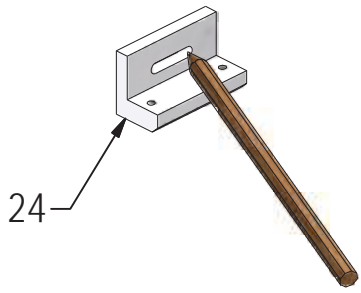




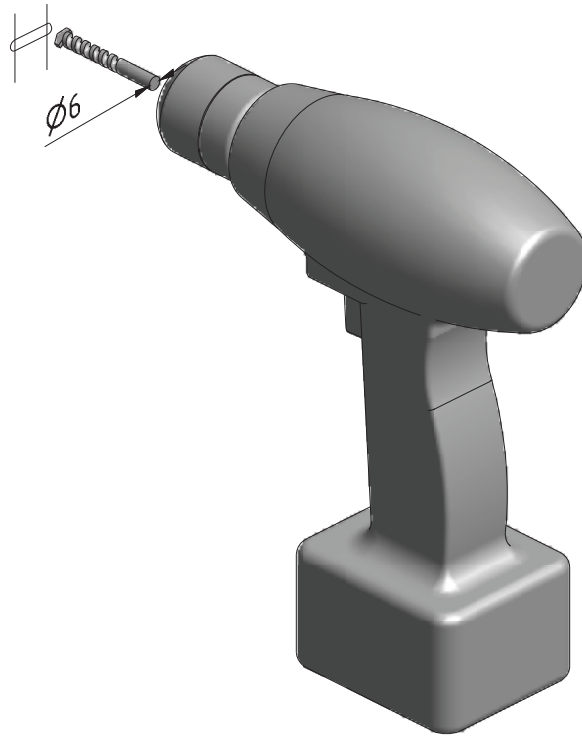




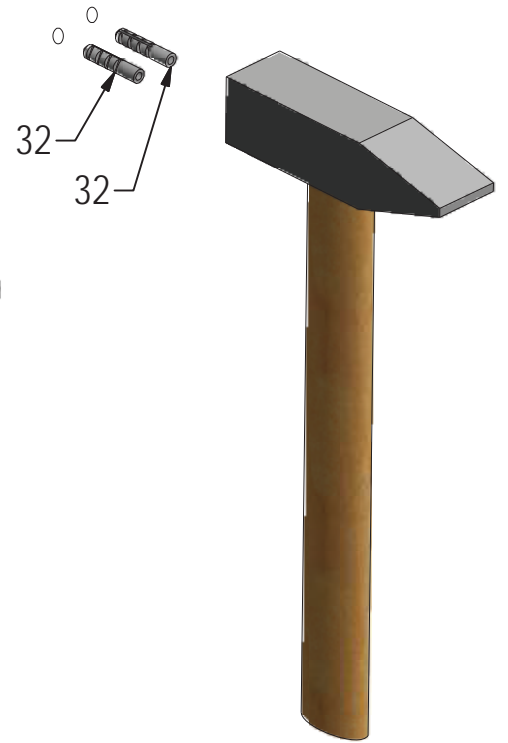
T2



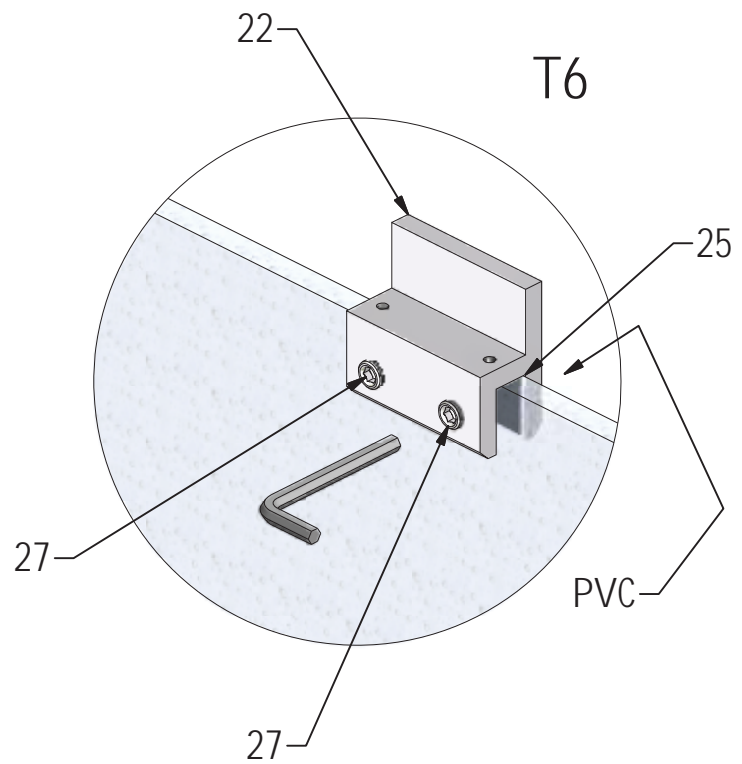
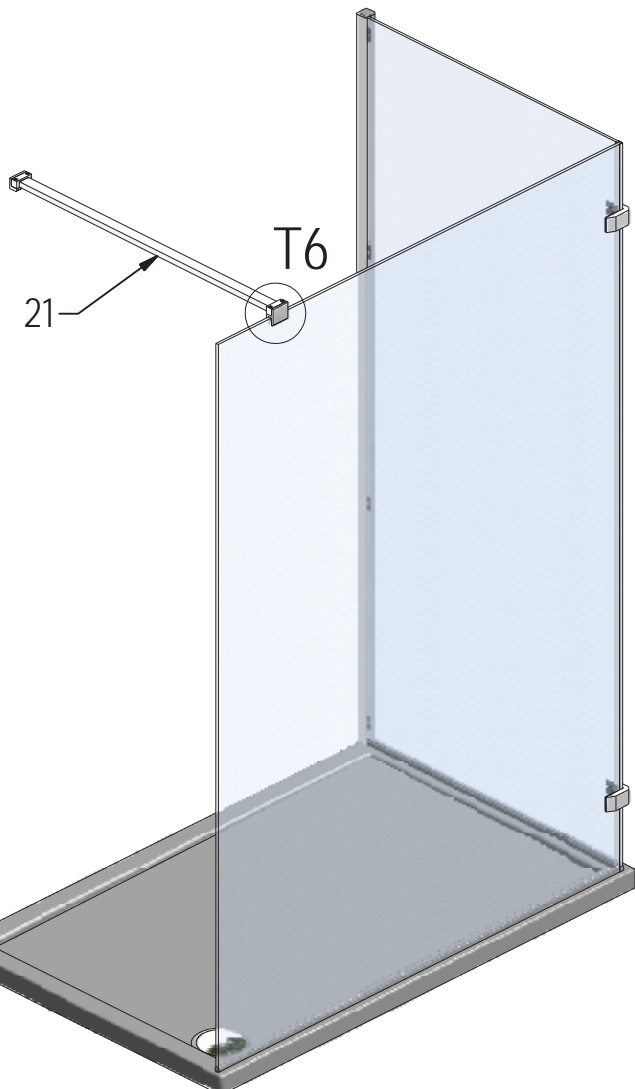
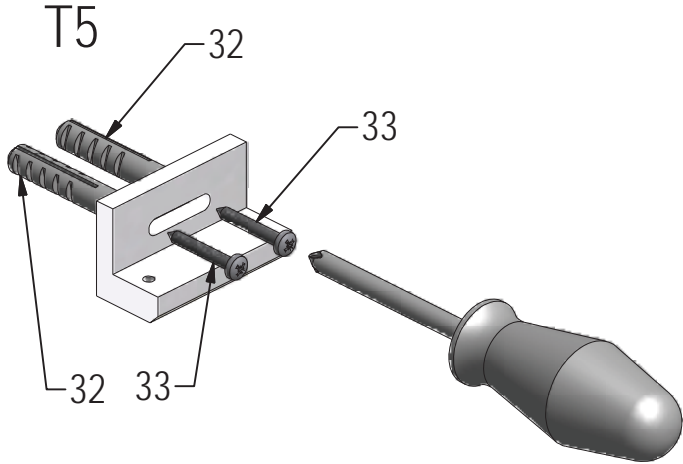
T3

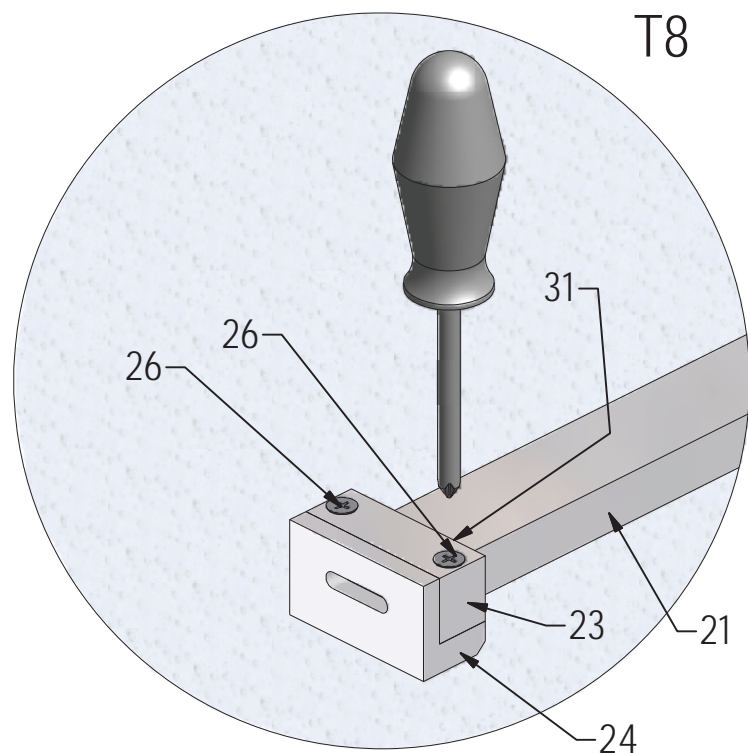
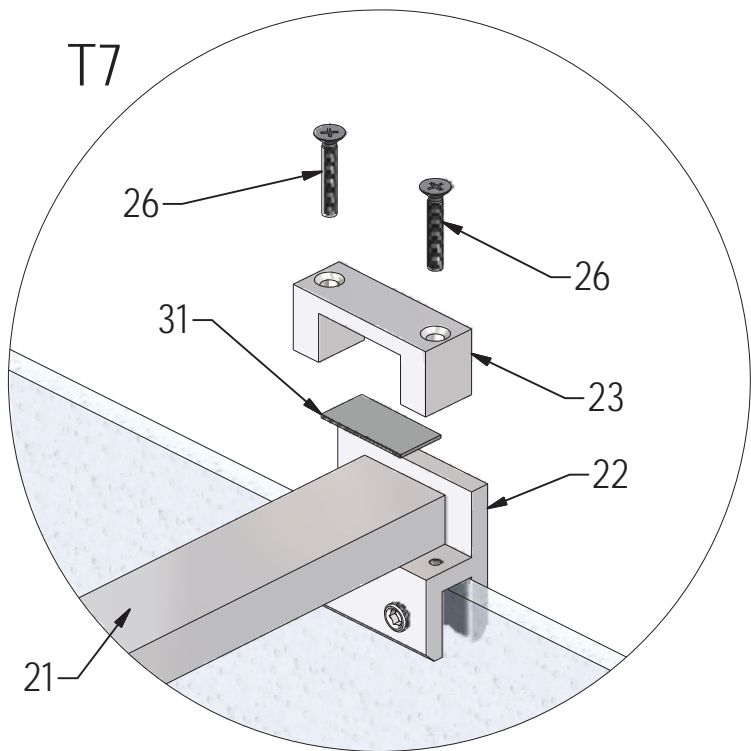
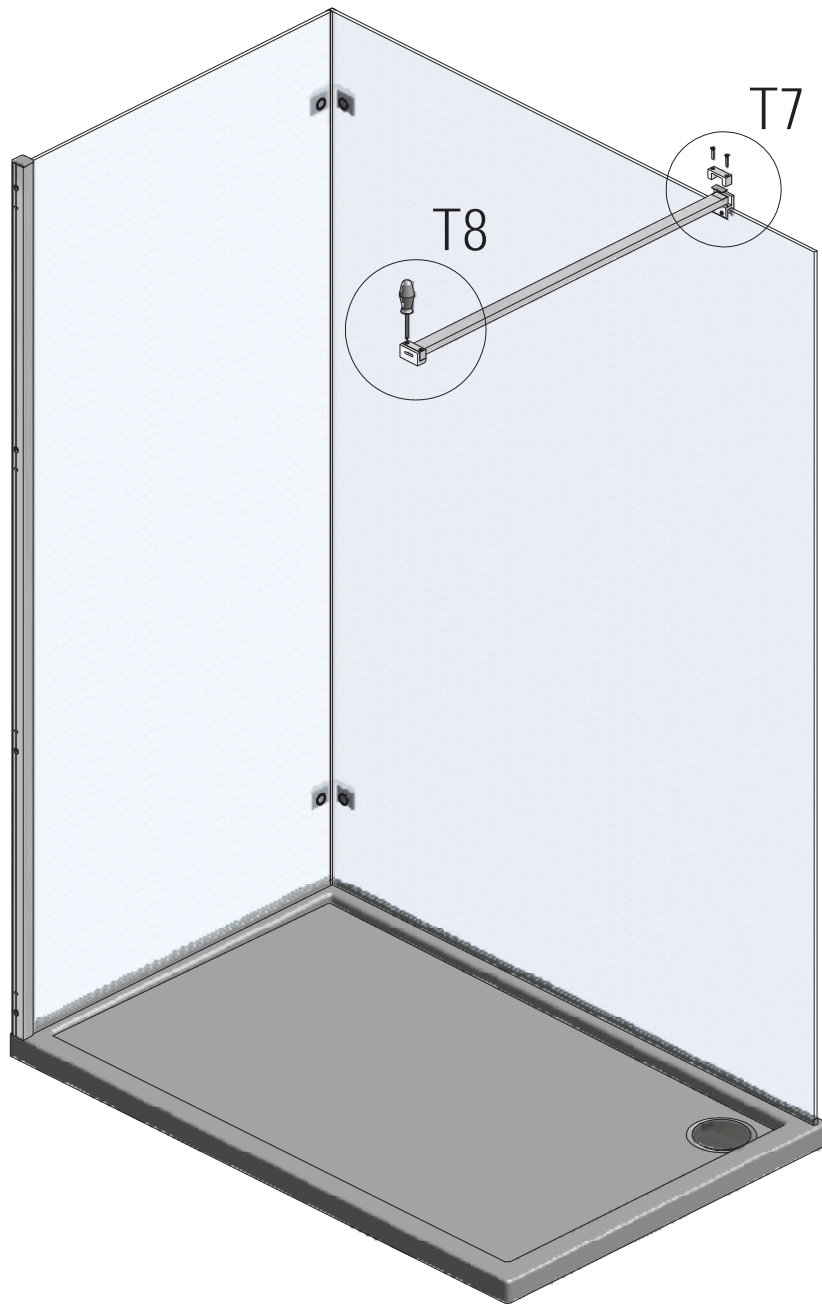


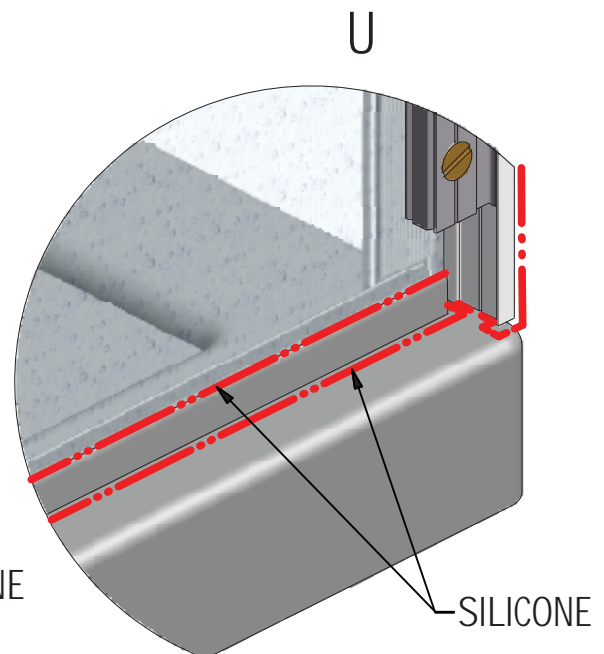
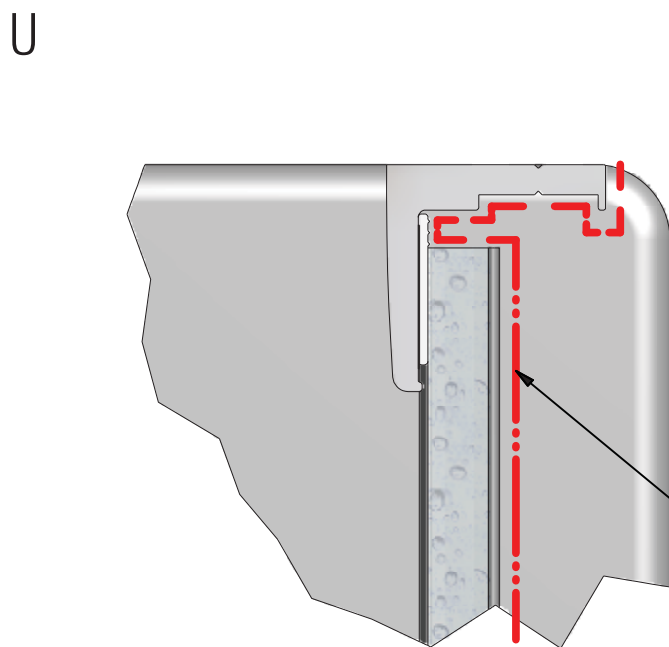
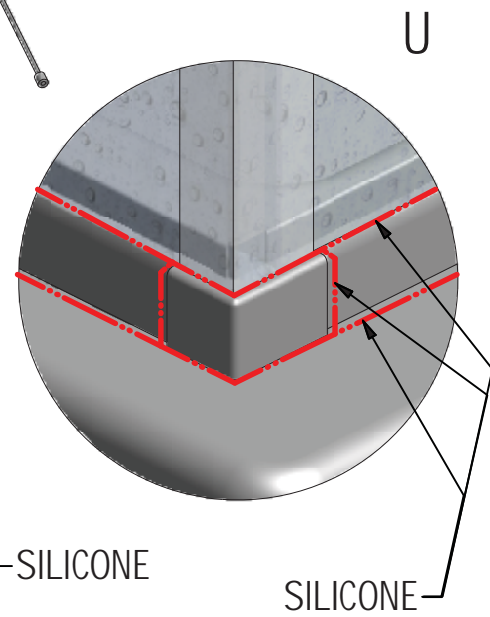
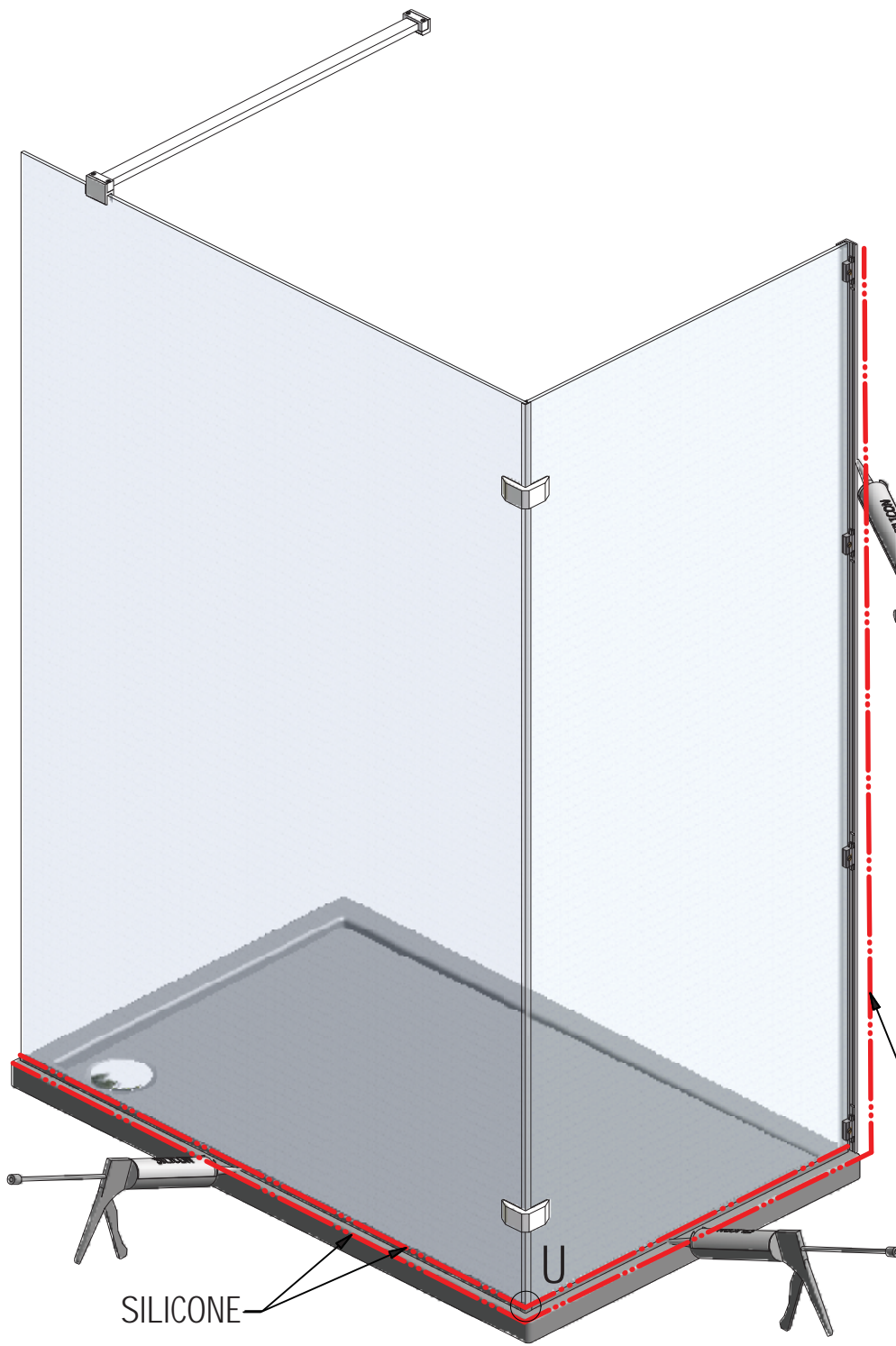
T4

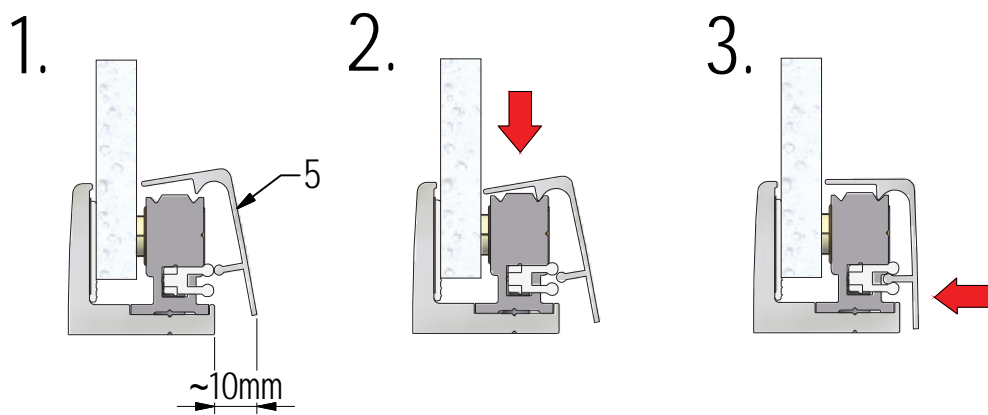
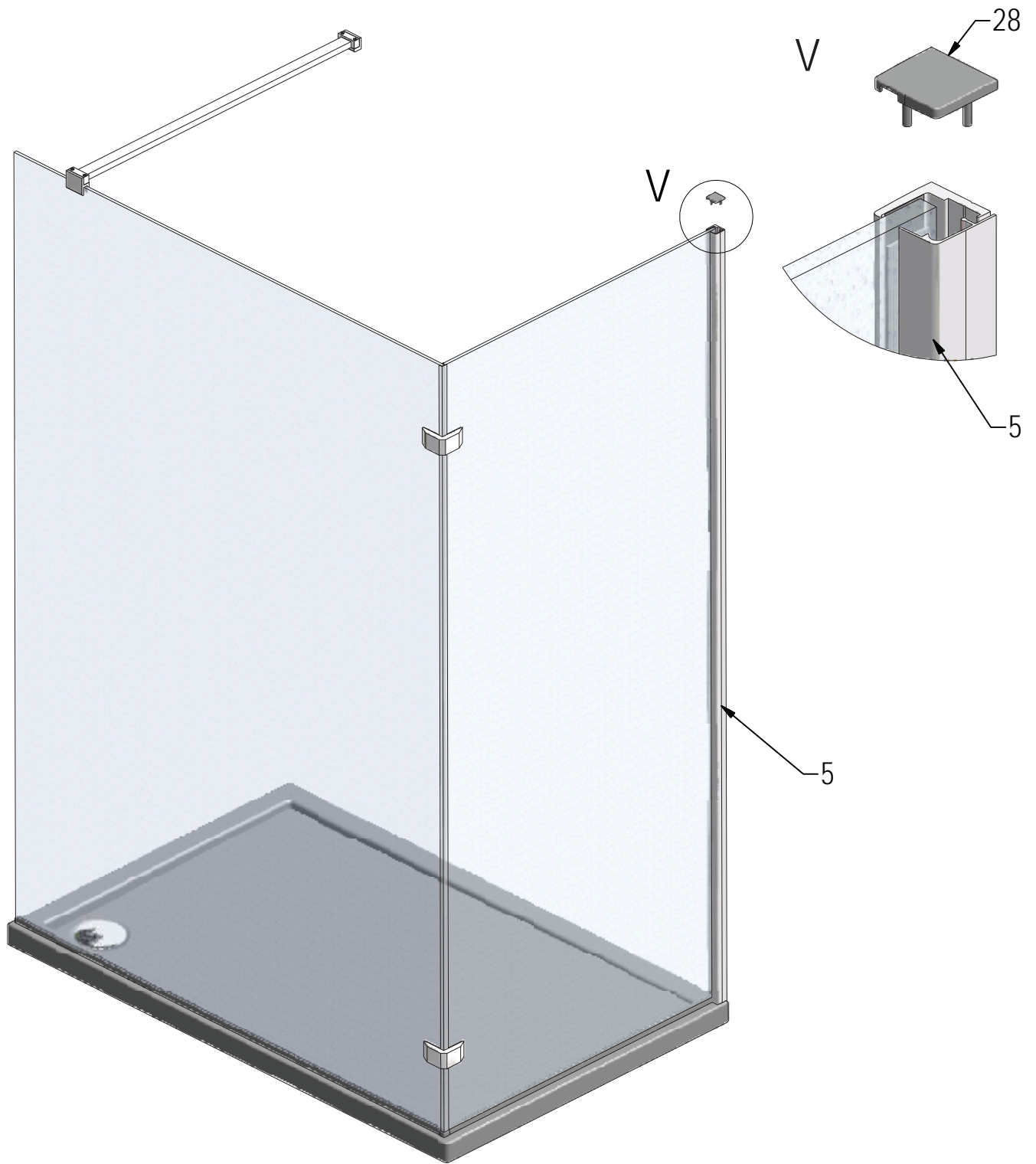


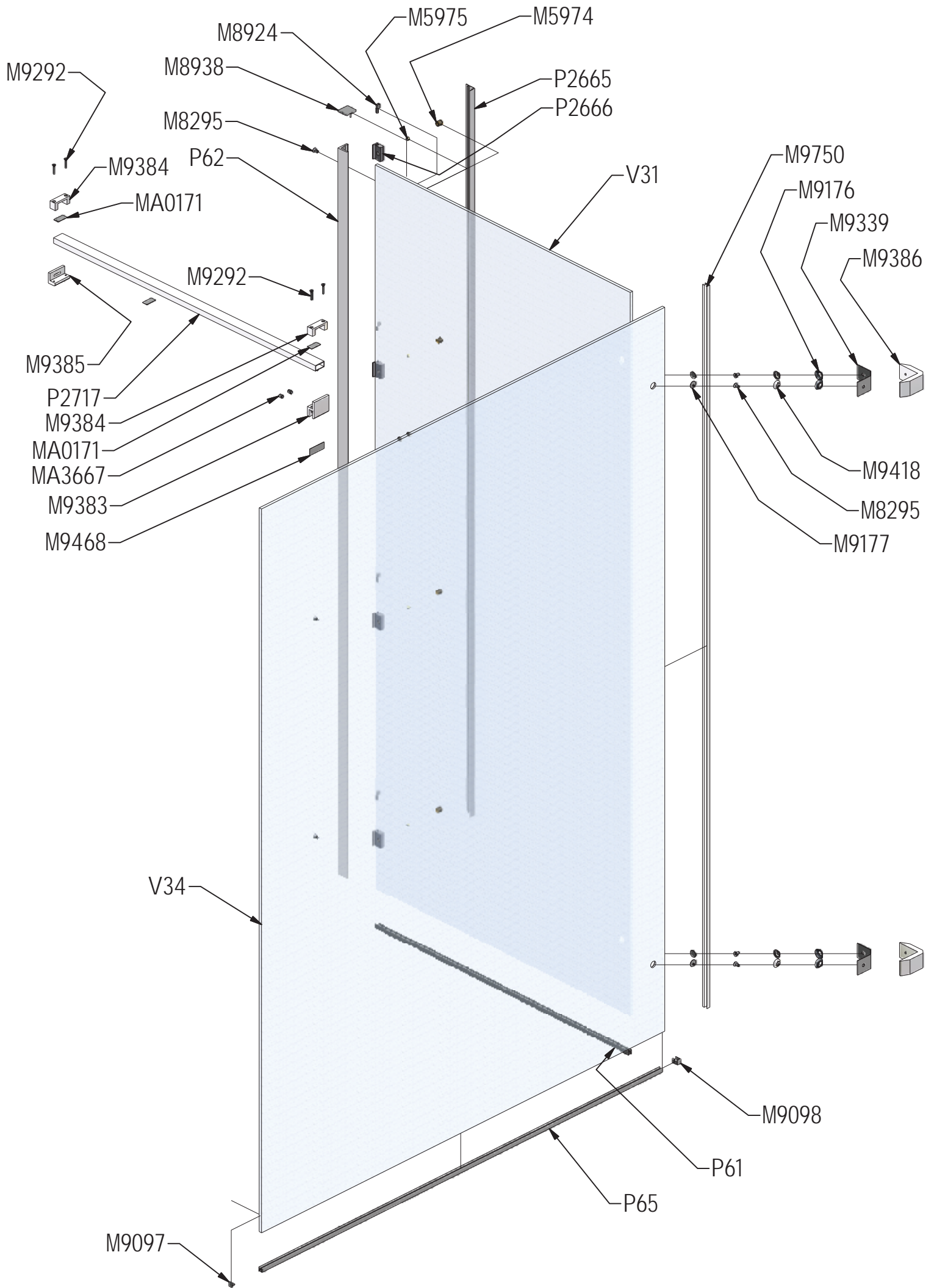
T5











P61	800		P2726
	900		P2727
	1000		P2728
P62			ND01-2361-00
P65	1000		P2735
	1200		P2736
	1400		P2737
	1500		P2738

V31	800	clear glass	ND03-0367-00-02
	900	clear glass	ND03-0368-00-02
1000	clear glass	ND03-0369-00-02	
V34	1000	clear glass	ND03-0405-00-02
	1200	clear glass	ND03-0380-00-02
	1400	clear glass	ND03-0381-00-02
1500	clear glass	ND03-0382-00-02	